

**cable\_assembly\_with\_straight\_screw\_lock\_plug\_with\_overmolding**

size\_0\_ip6k8\_ip6k9k\_coding\_a\_light\_brown\_12\_contacts\_pins\_solder\_cup\_data\_transmission\_usb®\_3.2\_gen\_1x1\_5\_gbits\_second\_side\_odu®\_connector\_overmolding\_black\_cable\_type\_usb\_kabel\_3.2\_gen1x1meterware\_cable\_color\_black

**Basic information**


Part number	CC10WAM124IYS
Part no. without assembly	C10WAM-P12XMM0-0000
Category	cable_assembly
Type of connector	plug
Assembly situation	straight

**Contact insert description**

Special features	data_transmission
Transmission type	USB® 3.2 Gen 1x1 (5 Gbit/s)
Number of contacts	12
Contact type	pins
Contact diameter	0.3 mm; 0.7 mm
Termination type	solder_cup

**Technical information**

Nominal current single contact	1 A; 5 A	IEC 60512-5-2:2002 (DIN EN 60512-5-2:2003)
Test voltage	0.5 kV AC	

**Cable description**

Cable outlet	overmolding
Bend relief color	black
Cable type	usb_cable_3.2_gen1x1_by_the_meter_pur
Cable color	black
Cable diameter	5.7 mm
Second side	odu®_straight_screw_lock_plug
UL style	style20693
Conductor	stranded_tinned_copper
Wire cross section AWG	AWG 28

## Mechanical and environmental data

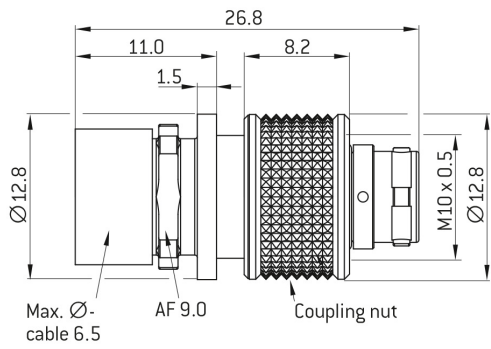
<b>Locking principle</b>	screw_lock
<b>Keying</b>	a
<b>Mating cycles</b>	5000
<b>IP class</b>	IP68 / IP6K9K
<b>Max. operating temperature</b>	80 °C
<b>Min. operating temperature</b>	-40 °C

ip\_protection\_class\_refers\_to\_mated\_condition

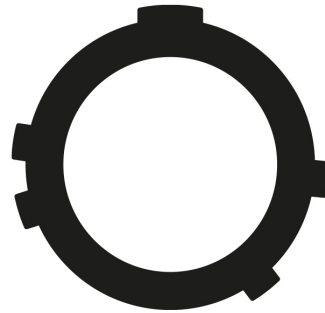
## Material and surface treatments

<b>Material</b>	cu_alloy_with_ruthenium_finish
<b>Insulator material</b>	peek
<b>Contact material</b>	cu_alloy_with_gold_finish

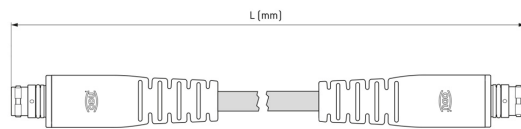
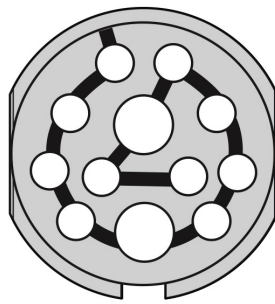
**DIMENSIONS:**



**CODING:A**



**POSITIONS: 12 positions**



## Further technical information and downloads

Connection diagram

connection\_diagram\_12\_pin\_usb\_3\_2\_gen1x1\_2xodu

[3D-File \(STP File\)](#)

[Technical specifications](#)