

## straight\_screw\_lock\_plug\_for\_bend\_relief

size\_00\_ip6k8\_ip6k9k\_coding\_d\_green\_2\_contacts\_pins\_solder\_cup\_signal\_transmission



### Basic information

|                    |                     |
|--------------------|---------------------|
| Part number        | C1CWDM-P02XCE0-0000 |
| Category           | connector           |
| Type of connector  | plug                |
| Assembly situation | straight            |
| Size               | 00                  |

### Contact insert description

|                        |            |
|------------------------|------------|
| Transmission type      | Signal     |
| Number of contacts     | 2          |
| Contact type           | pins       |
| Contact diameter       | 0.5 mm     |
| Termination type       | solder_cup |
| Termination diameter   | 0.7 mm     |
| Wire cross section AWG | AWG 24     |

### Technical information

|                                |           |  |
|--------------------------------|-----------|--|
| Nominal current single contact | 3 A       | IEC 60512-5-2:2002 (DIN EN 60512-5-2:2003) |
| Max. current insert            | 3 A       | VDE 0298-4:2013                            |
| Test voltage                   | 1.2 kV DC | EIA-364-20F:2019-02                        |

### Cable description

|                     |             |
|---------------------|-------------|
| Cable outlet        | overmolding |
| Min. cable diameter | 3.2         |
| Max. cable diameter | 5           |

## Mechanical and environmental data

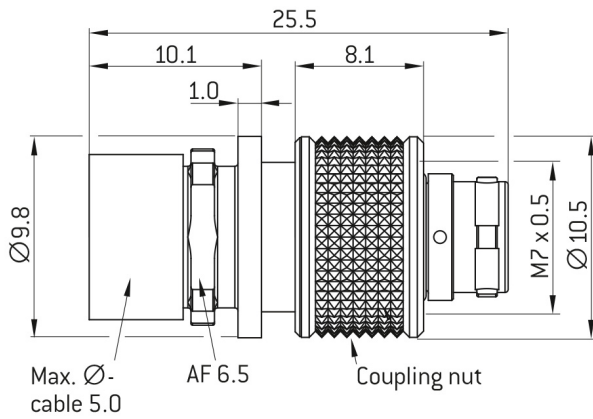
|                                   |               |
|-----------------------------------|---------------|
| <b>Locking principle</b>          | screw_lock    |
| <b>Keying</b>                     | d             |
| <b>Mating cycles</b>              | 5.000         |
| <b>IP class</b>                   | IP68 / IP6K9K |
| <b>Max. operating temperature</b> | 125 °C        |
| <b>Min. operating temperature</b> | -51 °C        |
| <b>Weight</b>                     | 9.999 g       |

ip\_protection\_class\_refers\_to\_mated\_condition

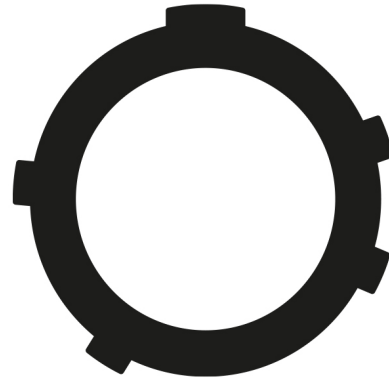
## Material and surface treatments

|                         |                                |
|-------------------------|--------------------------------|
| <b>Material</b>         | cu_alloy_with_ruthenium_finish |
| <b>Contact material</b> | cu_alloy_with_gold_finish      |

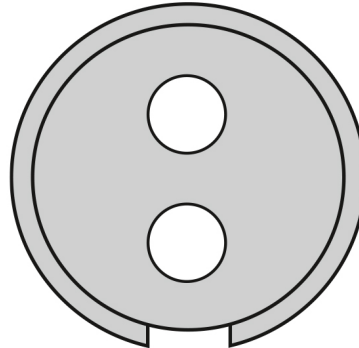
### DIMENSIONS:



### CODING:D



### POSITIONS: 2 positions



### Further technical information and downloads

[3D-File \[STP File\]](#)

[Assembly Instruction](#)

[Technical specifications](#)