

## straight\_screw\_lock\_plug\_for\_bend\_relief

size\_0\_ip6k8\_ip6k9k\_coding\_a\_light\_brown\_7\_contacts\_pins\_solder\_cup\_signal\_transmission



### Basic information

|                    |                     |
|--------------------|---------------------|
| Part number        | C10WAM-P07XFG0-0000 |
| Category           | connector           |
| Type of connector  | plug                |
| Assembly situation | straight            |

### Contact insert description

|                        |            |
|------------------------|------------|
| Transmission type      | Signal     |
| Number of contacts     | 7          |
| Contact type           | pins       |
| Contact diameter       | 0.7 mm     |
| Termination type       | solder_cup |
| Wire cross section AWG | AWG 22     |

### Technical information

|                                |            |  |
|--------------------------------|------------|--|
| Nominal current single contact | 5 A        | IEC 60512-5-2:2002 (DIN EN 60512-5-2:2003) |
| Max. current insert            | 3.25 A     | VDE 0298-4:2013                            |
| Test voltage                   | 0.75 kV DC | EIA-364-20F:2019-02                        |

### Cable description

|                     |             |
|---------------------|-------------|
| Cable outlet        | overmolding |
| Min. cable diameter | 3.2         |
| Max. cable diameter | 7           |

## Mechanical and environmental data

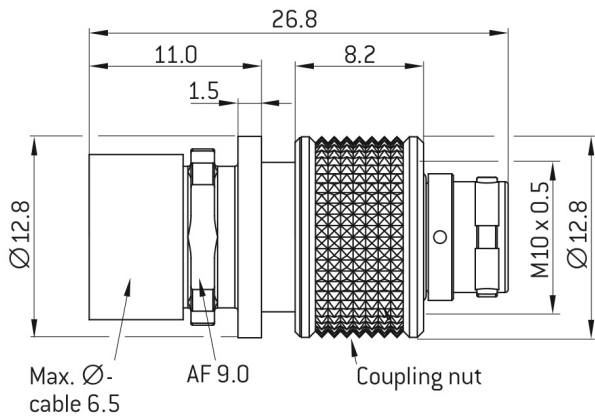
|                            |               |
|----------------------------|---------------|
| Locking principle          | screw_lock    |
| Keying                     | a             |
| Mating cycles              | 5.000         |
| IP class                   | IP68 / IP6K9K |
| Max. operating temperature | 125 °C        |
| Min. operating temperature | -51 °C        |
| Weight                     | 9.37 g        |

ip\_protection\_class\_refers\_to\_mated\_condition

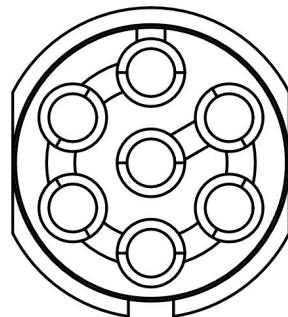
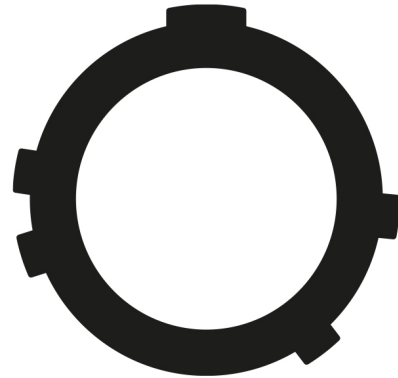
## Material and surface treatments

|                  |                                |
|------------------|--------------------------------|
| Material         | cu_alloy_with_ruthenium_finish |
| Contact material | cu_alloy_with_gold_finish      |

### DIMENSIONS:



### CODING:A



### Further technical information and downloads

[3D-File \[STP File\]](#)

[Assembly Instruction](#)

[Technical specifications](#)