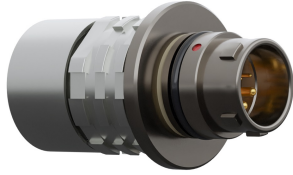


Straight break-away plug for bend relief

Size 00, IP6K8 / IP6K9K, Coding A (light brown), 2 contacts, Pins, Solder cup, Signal transmission



Basic information

| | |
|--------------------|---------------------|
| Part number | A1CWAM-P02XCEO-0000 |
| Category | Connector |
| Type of connector | Plug |
| Assembly situation | Straight |
| Size | 00 |

Contact insert description

| | |
|------------------------|------------|
| Transmission type | Signal |
| Number of contacts | 2 |
| Contact type | Pins |
| Contact diameter | 0.5 mm |
| Termination type | Solder cup |
| Wire cross section AWG | AWG 24 |

Reverse gender on request

Technical information

| | | |
|--------------------------------|-----------|--|
| Nominal current single contact | 3 A | IEC 60512-5-2:2002 (DIN EN 60512-5-2:2003) |
| Max. current insert | 3 A | VDE 0298-4:2013 |
| Test voltage | 1.2 kV DC | EIA-364-20F:2019-02 |

All shown connectors are rated to a safety extra low voltage (SELV) of less than 50 V AC / 75 V DC, according to IEC 61140:2016 (VDE 0140-1:2016) Protection against electric shock - Common aspects for installation and equipment. In case other standards rule a specific use of the connector, the application specific safety criteria shall be considered first. In this context, lower voltage ratings may be valid. Warning: Danger to life for operating voltages above 50 V AC / 120 V DC!

Cable description

| | |
|---------------------|-------------|
| Cable outlet | Overmolding |
| Min. cable diameter | 3.2 |
| Max. cable diameter | 5 |

Mechanical and environmental data

| | |
|-----------------------------------|---------------|
| Locking principle | Break-Away |
| Keying | A |
| Mating cycles | 5000 |
| IP class | IP68 / IP6K9K |
| Max. operating temperature | 125 °C |
| Min. operating temperature | -51 °C |
| Weight | 3.33 g |

*IP protection class refers to mated condition

Material and surface treatments

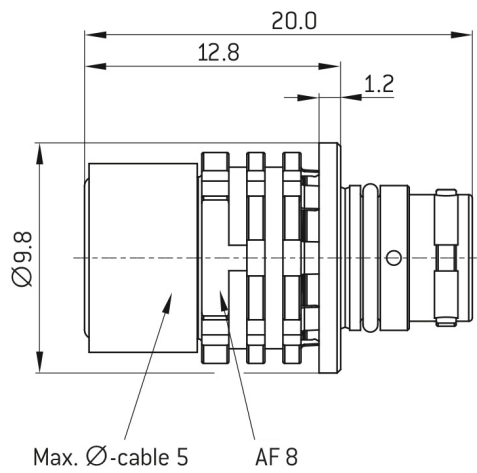
| | |
|---------------------------|--------------------------------|
| Material | Cu-alloy with ruthenium finish |
| Insulator material | PEEK |
| Contact material | Cu-alloy with gold finish |

ODU reserves the right to make changes based on the current state of knowledge without prior notice without being obliged to provide replacement deliveries or refinements of older designs.

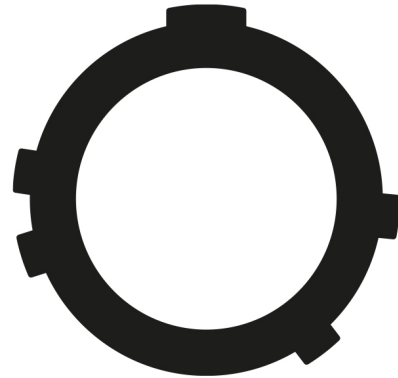
All shown connectors are defined without breaking capacity (COC) according to IEC 61984:2008 (VDE 0627:2009).

Graphics and technical drawings

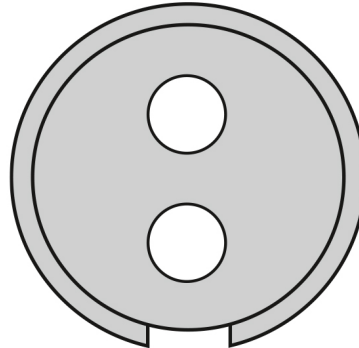
DIMENSIONS:



CODING:A



POSITIONS: 2 positions



Further technical information and downloads

[3D-File \[STP File\]](#)

[Assembly Instruction](#)

[Technical specifications](#)