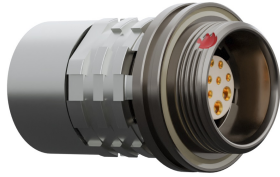


## straight\_in\_line\_receptacle\_with\_screw\_lock\_for\_bend\_relief

size\_0\_ip6k8\_ip6k9k\_coding\_a\_light\_brown\_16\_contacts\_sockets\_solder\_cup\_data\_transmission



### Basic information

Part number	KCOWAM-P16WBCO-0000
Category	connector
Type of connector	in_line_receptacle
Assembly situation	straight
Size	5feceb

### Contact insert description

Special features	data_transmission
Transmission type	Ethernet/IP® [10 Gbit/s]
Number of contacts	16
Contact type	sockets
Contact diameter	886be3
Termination type	solder_cup
Termination diameter	34856b
Wire cross section AWG	5ef463

### Technical information

Max. current single contact	621c7f	IEC 60512-5-2:2002 (DIN EN 60512-5-2:2003)
Max. current insert	0.5 A	VDE 0298-4:2013
Test voltage	0.75 kV DC	EIA-364-20F:2019-02

### Cable description

Cable outlet	overmolding
Min. cable diameter	3.2
Max. cable diameter	?

## Mechanical and environmental data

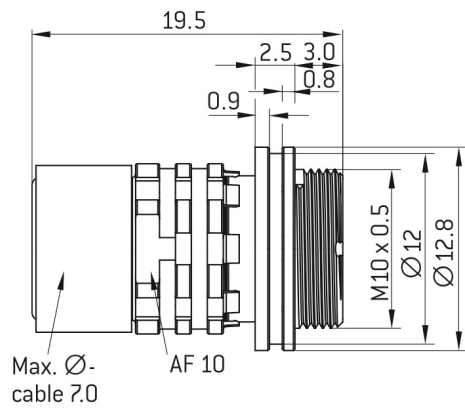
<b>Locking principle</b>	screw_lock
<b>Keying</b>	a
<b>Mating cycles</b>	9e1839
<b>IP class</b>	IP68 / IP6K9K
<b>Max. operating temperature</b>	125 °C
<b>Min. operating temperature</b>	-51 °C
<b>Weight</b>	7.2 g

ip\_protection\_class\_refers\_to\_mated\_condition

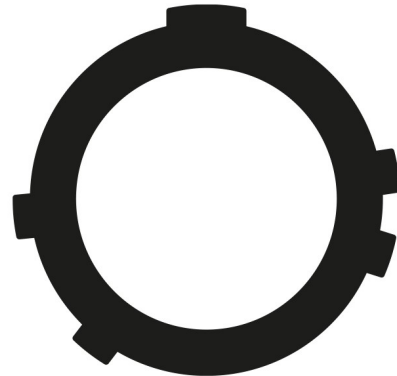
## Material and surface treatments

<b>Material</b>	cu_alloy_with_ruthenium_finish
<b>Contact material</b>	cu_alloy_with_gold_finish

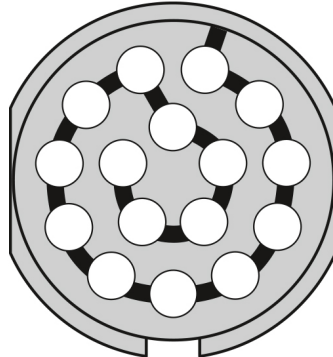
### DIMENSIONS:



### CODING:A



### POSITIONS: 16 positions



### Further technical information and downloads

[3D-File \(STP File\)](#)

[Assembly Instruction](#)

[Technical specifications](#)