

receptacle_with_break_away_locking_for_rear_panel_mounting

size: 2, IP6K8 / IP6K9K, keying: a, number_of_contacts: 19, solder_cup, contact_type: sockets, Signal



Basic information

Part number	GK2YAR-P19WFG0-000L
Category	connector
Type of connector	receptacle
Assembly situation	rear_panel_mounting
Size	d4735e

Contact insert description

Transmission type	Signal
Number of contacts	19
Contact type	sockets
Contact diameter	ec72e6
Termination type	solder_cup
Termination diameter	08561d
Wire cross section AWG	374cb3

Technical information

Max. current single contact	14bd3c	IEC 60512-5-2:2002 (DIN EN 60512-5-2:2003)
Max. current insert	3.15	VDE 0298-4:2003
Test voltage	1 kV AC	EIA-364-20F:2019-02

Mechanical and environmental data

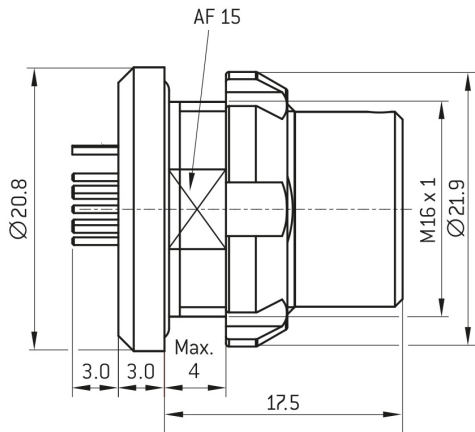
Locking principle	break_away , push_pull
Keying	a
Mating cycles	9e1839
IP class	IP6K8 / IP6K9K
Max. operating temperature	125 °C
Min. operating temperature	-51 °C
Tightening torque	4 Nm
Weight	12.71 g

ip_protection_class_refers_to_mated_condition

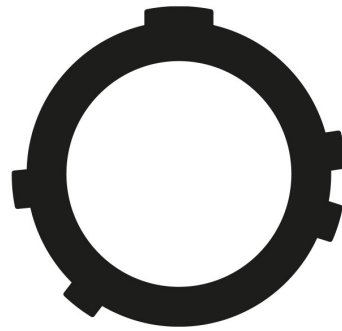
Material and surface treatments

Material	aluminum_with_ruthenium_finish
Contact material	gold

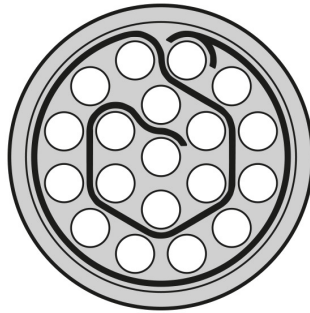
DIMENSIONS:



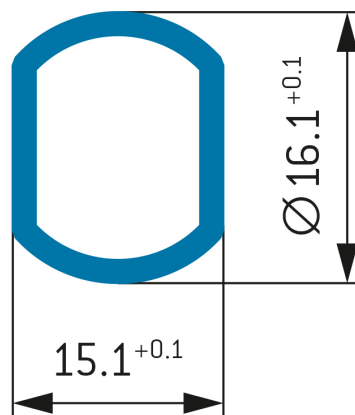
CODING:A



POSITIONS: 19 positions



PANEL CUT OUT:



Further technical information and downloads

[3D-File \(STP File\)](#)

[Assembly Instruction](#)