

receptacle_with_break_away_locking_for_rear_panel_mounting

size: 1, IP6K8 / IP6K9K, keying: c, number_of_contacts: 16, solder_cup, contact_type: sockets, Signal



Basic information

Part number	GK1YCR-P16WCD0-000L
Category	connector
Type of connector	receptacle
Assembly situation	rear_panel_mounting
Size	6b86b2

Contact insert description

Transmission type	Signal
Number of contacts	16
Contact type	sockets
Contact diameter	88d6d3
Termination type	solder_cup
Termination diameter	1d7c76
Wire cross section AWG	562f2b

Technical information

Max. current single contact	2f071a	IEC 60512-5-2:2002 (DIN EN 60512-5-2:2003)
Max. current insert	2.5	VDE 0298-4:2003
Test voltage	0.6 kV AC	EIA-364-20F:2019-02

Mechanical and environmental data

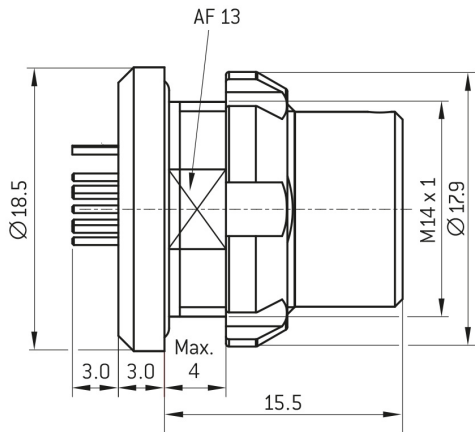
Locking principle	break_away , push_pull
Keying	c
Mating cycles	9e1839
IP class	IP6K8 / IP6K9K
Max. operating temperature	125 °C
Min. operating temperature	-51 °C
Tightening torque	3 Nm
Weight	13.96 g

ip_protection_class_refers_to_mated_condition

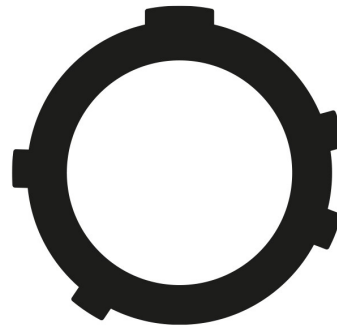
Material and surface treatments

Material	aluminum_with_ruthenium_finish
Contact material	gold

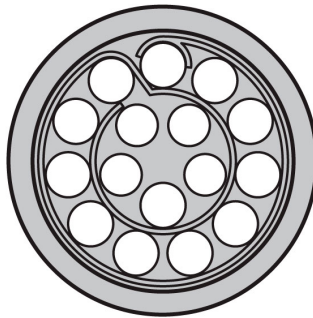
DIMENSIONS:



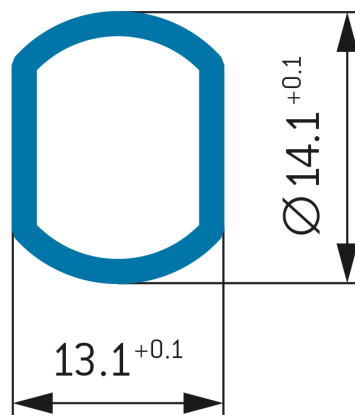
CODING:C



POSITIONS: 16 Positions



PANEL CUT OUT:



Further technical information and downloads

[3D-File \(STP File\)](#)

[Assembly Instruction](#)