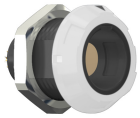


## receptacle\_with\_break\_away\_and\_push\_pull\_locking\_for\_front\_panel\_mounting

size: 1, IP50, keying: 0, number\_of\_contacts: 4, solder\_cup, contact\_type: sockets, Signal



### Basic information

Part number	G11M08-P04LJG0-0030
Category	connector
Type of connector	receptacle
Assembly situation	front_panel_mounting
Size	1

### Contact insert description

Special features	iec_60601_1_1_mopp_&_2_moop
Transmission type	Signal
Number of contacts	4
Contact type	sockets
Contact diameter	0.9 mm
Termination type	solder_cup
Termination diameter	0.85 mm
Wire cross section AWG	AWG 22

### Technical information

Max. current single contact	7.5 A	IEC 60512-5-2:2002 (DIN EN 60512-5-2:2003)
Max. current insert	7.5	VDE 0298-4:2003
Test voltage	1.3 kV AC	EIA-364-20F:2019-02
Max. creepage distance (contact to contact)	1.2 mm (Contact to housing)	
Max. creepage distance (contact to housing)	IEC 60601-1: 1MOPP. 2MOPP*	
Max. clearance distance (contact to contact)	1.2 mm (Contact to contact)	
Max. clearance distance (contact to housing)	IEC 60601-1: 1MOPP. 2MOPP*	

## Mechanical and environmental data

Locking principle	break_away , push_pull
Mating cycles	5.000
IP class	IP50
Max. operating temperature	120 °C
Min. operating temperature	-50 °C
Weight	5.19 g

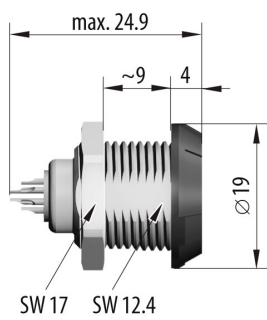
## Material and surface treatments

Material	psu_black
Contact material	gold
Color option (Front or back nut)	white

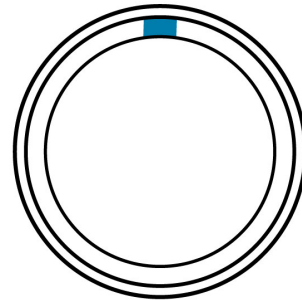
## Insulator materials MEDI-SNAP®

psu\_peek\_o\_a

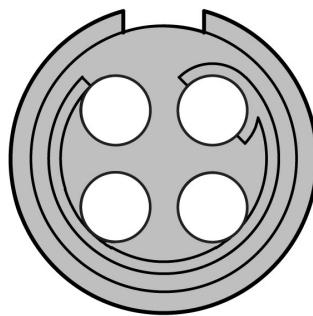
### DIMENSIONS



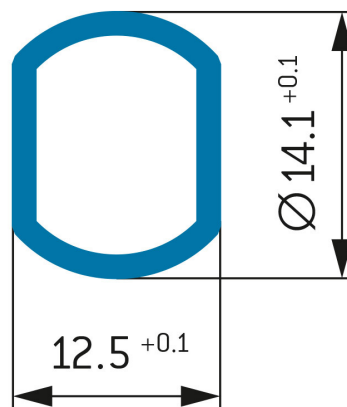
### CODING: 0°



### POSITIONS: 4 Positions



### PANEL CUT OUT:



## Further technical information and downloads

[3D-File \(STP File\)](#)