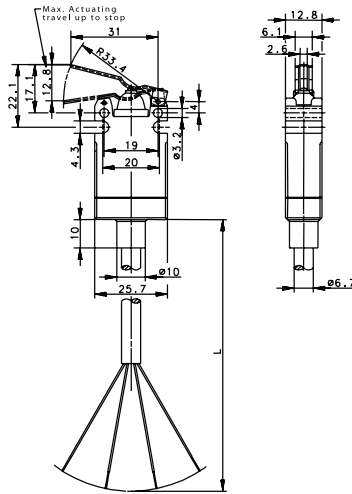
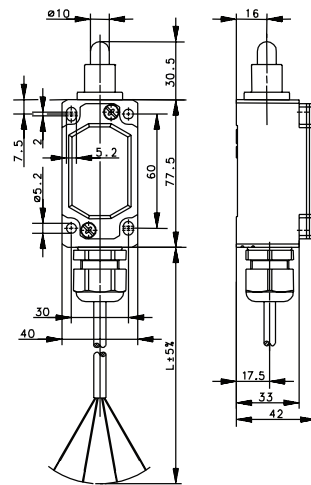


EEX and ENM2 Series Limit Switches

EEX FH

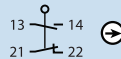


ENM2 IW

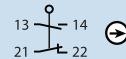


6.5' (2 meter) connection cable

609.0145.007
EEX-SU1Z FH -2M-



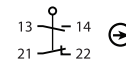
609.7152.052
ENM2-SU1Z EX IW -2M-



16.4' (5 meter) connection cable

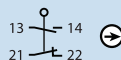
-

609.7152.054
ENM2-SU1Z EX IW -5M-

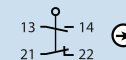


29.5' (9 meter) connection cable

609.0145.010
EEX-SU1Z FH -9M-



609.7152.055
ENM2-SU1Z EX IW -9M-



EX Certification

II 2 G EEx d IIC T6

II 2 G EEx d IIC T6

Technical Information

| | | |
|----------------------------|--|--|
| Maximum Switching Voltage | 230V | 230V |
| Maximum Switching Amperage | 5A | 5A |
| B10d | 4 Million | 4 Million |
| Mechanical Service Life | 2 x 10 ⁶ | 2 x 10 ⁶ |
| Switching Frequency | ≤ 120/min | ≤ 50/min |
| Operating Temperature | -20 °C to +65 °C | -20 °C to +65 °C |
| Protection Rating | IP66 / IP67 | IP66 / IP67 |
| Utilization Category | AC 15, 240 V / 3 A; DC 13, 250 V / 0.27 A | AC 15, 240 V / 3 A; DC 13, 250 V / 0.27 A |
| Rate Insulation Voltage | 250VAC | 250VAC |

Drawing dimensions in mm