



NE8FDV-SE

Vertical PCB panel mount RJ45 receptacle, combined with sealing kit SE8FD, max. panel thickness 4 mm, mounting screws not included

The etherCON Series is a ruggedized and lockable RJ45 connector system, optimized for pro audio, video and lightning network applications. The chassis connectors are shaped to fit into standardized panels out of the entertainment industry. The D-Series offers the most rugged design of the etherCON series and is perfectly suitable for panel mount and the installer market.

Attention! Does not intermate with CAT6 cable connector NE8MC6-MO and NKE6S* cables.

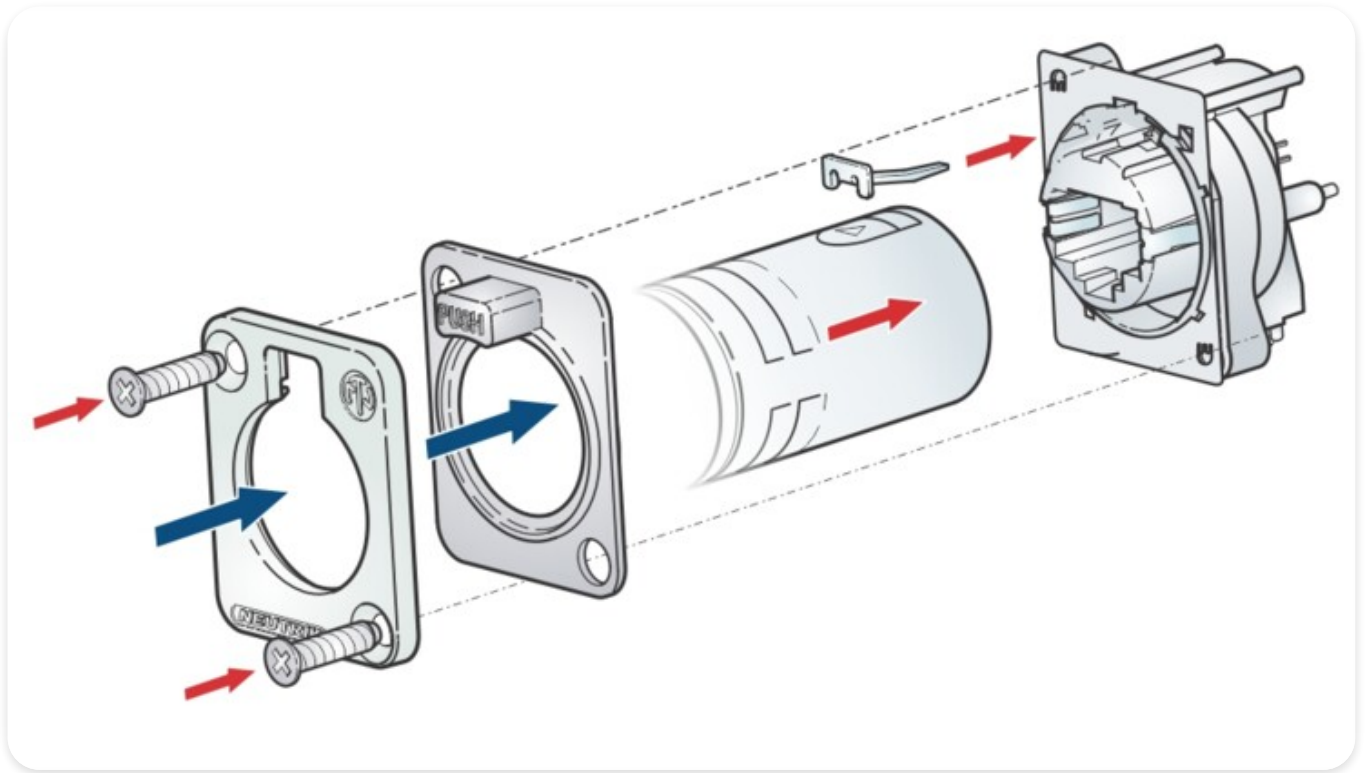
Features & Benefits

- ✓ CAT5e / Class D according to TIA/EIA 568C and ISO/IEC 11801
- ✓ PoE type 4 class 8 (100W) acc. IEEE 802.3bt

Features & Benefits

- ✓ In combination with NE8MC-1 waterproof according to IP54
- ✓ Accommodates NE8MC* or any standard RJ45 plug
- ✓ Complies with Class D according to TIA / EIA 568B and ISO / IEC 11801 standard
- ✓ Approved latch lock system
- ✓ Mountable from the front of the panel
- ✓ Ground-panel connection

etherCON NE8FDV-SE



Technical Information

| Product | |
|---------|-----------|
| Title | NE8FDV-SE |
| Gender | female |

| Electrical | |
|---------------------------|---|
| Contact resistance | < 50 mΩ |
| Dielectric strength | 1 kVdc |
| Frequencyrange | 1 - 100 MHz |
| Insulation resistance | > 0.5 GΩ |
| Rated current per contact | 1.5 A |
| Rated voltage | ≤ 57 V |
| Transmission performance | CAT5e acc. to TIA/EIA 568C channel specifications CLASS D acc. to ISO/IEC 11801 channel specifications |
| Power over Ethernet | PoE type 4 class 8 (100W) acc. IEEE 802.3bt |

| Mechanical | |
|------------------|-----------------------------|
| Insertion force | ≤ 20 N |
| Withdrawal force | ≤ 20 N |
| Lifetime | > 1000 mating cycles |
| Panel thickness | 2 mm - 4 mm , 0.08" - 0.16" |
| Wiresize | |
| Wiring | vertical PCB mount |
| Locking device | Latch lock |

| Material | |
|-----------------|---------------------------|
| Contact plating | 0.2 µm Au over Ni plating |
| Contacts | Bronze (CuSn8) |
| Insert | PBTP 15 % GR |
| Shell | Zinc diecast (ZnAl4Cu1) |
| Shell plating | Chromium |

| Environmental | |
|---------------------|---|
| Flammability | UL 94 V-0 |
| Solderability | Complies with IEC 68-2-20 |
| Temperature range | -30°C to +80 °C |
| Standard compliance | ISO/IEC 11801-1 Ed. 1.0 (2017-11) IEC 60603-7-3 Ed.2.0 (2010-04) IEC 60512-99-002 Ed.2.0 (2022-01) IEC 60512-9-3 (2011-06) |