



NAUSB3-B

Reversible USB 3.0 gender changer (type A and B), black D-housing

The NAUSB3-B is a reversible USB 3.0 feed through adapter. The standardized D-shape housing of the adapter fits into conventional patch panels and offers an additional protection for the connector.

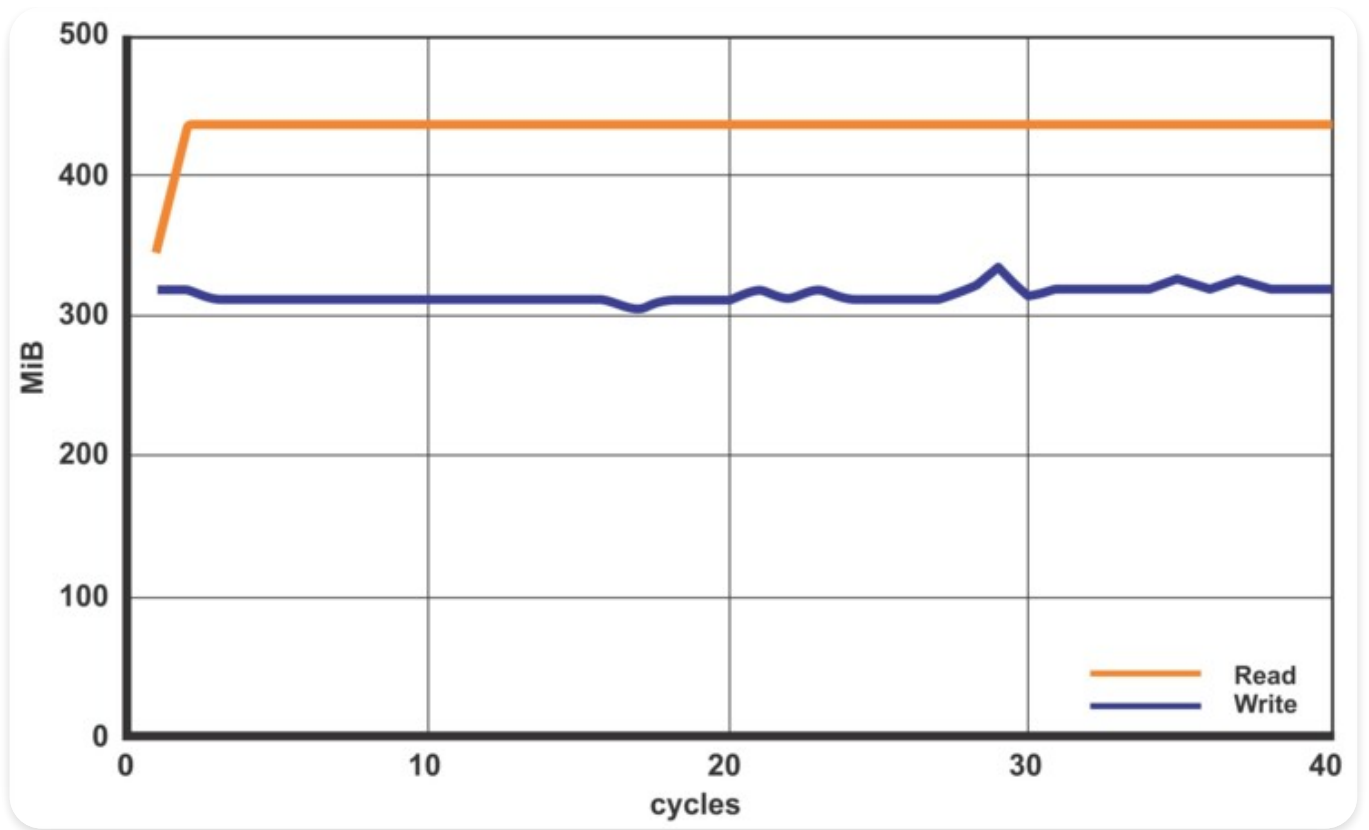
Not compatible with NKUSB-* cables.

Features & Benefits

- ✓ USB 3.0 feedthrough adapter
- ✓ Reversible insert offering type A or B on front or rear end
- ✓ Standard D-shape housing
- ✓ Removable screen for chassis grounding
- ✓ Meets USB 3.0 specifications

USB 3.0 Performance

To meet the USB3.0 specifications the NAUSB3* chassis contain tight tolerance pin wiring and an improved ground connection due to an additional copper film between the USB jacks. As a result the feed through adapter guarantees permanent writing and reading speed > 200 MB/s.



Gender Changeable

Certain applications require that the USB 3.0 type A or type B jack is on front to connect end devices like hard disk, cameras, etc. The connector configuration of the NAUSB3* can be changed by rotating the USB insert without special tools.

USB Type A in front

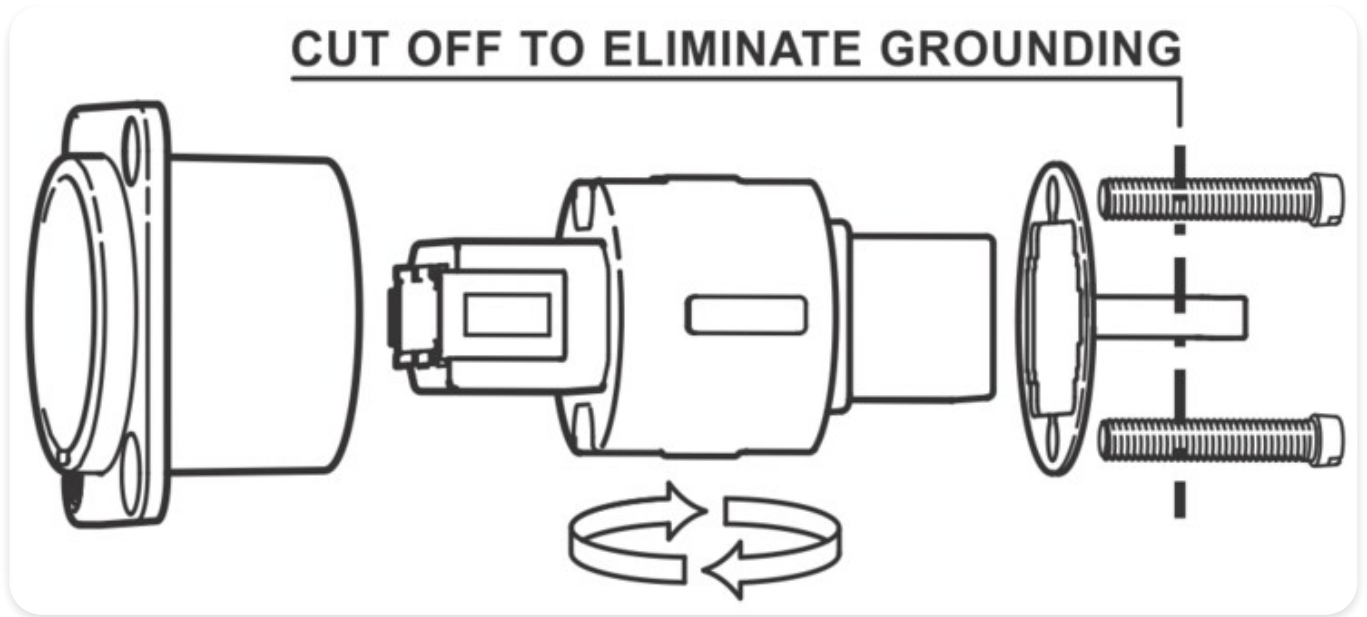


USB Type B in front



Optimized Ground Connection

An additional metal lip guarantees optimum ground connection from USB 3.0 jack to the D-size flange in order to achieve a consistent ground level. To eliminate the ground connection pinch off the metal lip.



Cable lengths

We recommend to use USB-IF certified cables to ensure error-free data transmission. Maximum length of USB-IF certified USB 3.0 passive cable is 2.0 meters.

NAUSB3-B rear view



Technical Information

Product

| | |
|-----------------|----------|
| Title | NAUSB3-B |
| Connection Type | Adapter |
| Gender | female |

Electrical

| | |
|-------------------------|-----------|
| Reading / Writing speed | >200 MB/s |
|-------------------------|-----------|

Mechanical

| | |
|--------------------|----------------------|
| Wiresize | |
| Mounting direction | Front mounting |
| Chassis shape | D |
| Lifetime | > 1000 mating cycles |

Material

| | |
|-----------------|-------------------------|
| Contact plating | Au |
| Contacts | Bronze (CuSn) |
| Insert | PBTP 15 % GR |
| Shell | Zinc diecast (ZnAl4Cu1) |
| Shell plating | Nickel |

| Environmental | |
|----------------------------|------------------------|
| Flammability | UL 94 V-0 |
| Standard compliance | USB 3.0 specifications |
| Temperature range | -25 °C to +85 °C |