

100-400 W Control Panel Heater *SHV Series*



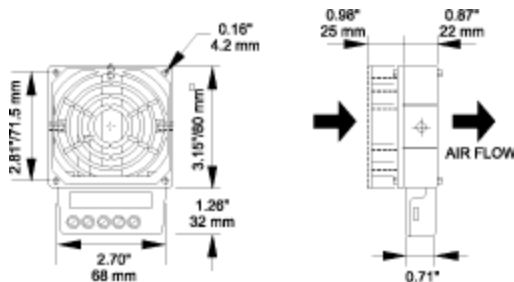
Protect your electrical enclosures from condensation and temperature fluctuations. Designed for industrial and control panel applications, this high-performance heater ensures consistent airflow and heat distribution, preventing moisture buildup that can damage sensitive components. The SHV delivers efficiency, safety, and reliability in one smart solution.

Features

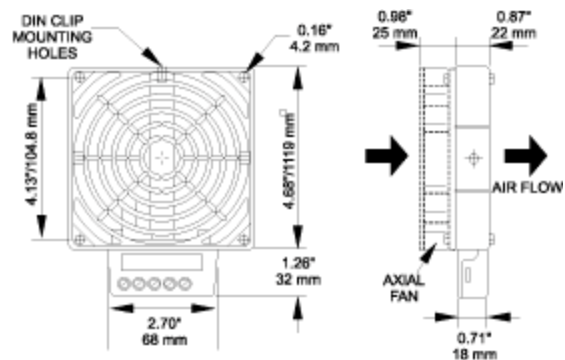
- When larger heating capacities or internal forced air circulation is required and space is limited.
- Compact design to prevent condensation or maintain minimum temperature in enclosures.
- Fan is included and is required for safe operation.
 - Built-in temperature limiter for overheat Protection.
- Operating Temperature Range: -49 to 158 °F (-45 to 70 °C).
- Includes a clip for 35mm DIN rail (EN 60 715).
- Heat sink is constructed of die-cast aluminum.
- UL Approved components.

Accessories

- Temperature Controls and Accessories



100 W, 150 W Heaters



200 W, 300 W, 400 W Heaters

Part No.	Watts	Operating Current (Amps)	Volts	Temperature		Fan Size	Fan Depth
				Maximum with Fan			
SHV031029	100 W	0.89	AC 120	250°F/120°C		80	25
SHV031039	150 W	1.3	AC 120	320°F/160°C		80	25
SHV031139	200 W	1.79	AC 120	250°F/120°C		120	25
SHV031149	300 W	2.62	AC 120	320°F/160°C		120	25
SHV031159	400 W	3.45	AC 120	360°F/180°C		120	25

Operating Voltage:	AC 110 -120 V 50/60 Hz
Air Flow:	20 CFM (100W, 150W heaters), 63 CFM (200W, 300W, 400W heaters)
Axial Fan:	Ball bearing
Durability:	30,000 hrs. at 68°F ambient temperature
Heating Element:	Cartridge heater
Heating Body:	Die cast aluminum
Connection:	5 pole terminal for 14 AWG (maximum)
G/L1/N1:	Heater
L2/N2:	Fan
Mounting:	Easily installed by clip mounting on 35 mm DIN rails (included)
Protection class:	1 (tested for grounding at 1250 V)
Protection:	IP44
Approval:	UL Recognized Component, cUL Recognized Component, CE

Tags: **climate, heater, fan, control panel, temperature, condensation**

Data subject to change without notice.

© 2026. Hammond Manufacturing Ltd. All rights reserved.