

## Watertight EMI/RFI Shielded *R110-111 Series*

conFORM Series

### Key Features:



- Diecast aluminum material (GD Al Si 12/DIN 1725).
- Comes with silicone-free TPE gasket installed.
- Stainless steel lid hardware included.
- An EMI/RFI gasket is not required as lid to box connection is inside the gasket seal.
  - Patented metal-to-metal system with integrated teeth in the enclosure bottom provide a lasting shield.
- Recommended operating temperature range is -40°C up to +80°C (-40°F to 176°F).
- Optional external mounting feet made from zinc diecast can be turned through 90°.
- Finished in tough, textured polyester powder coat in light beige RAL 7032.
  - Can be supplied unpainted on special order.
- Degree of protection: NEMA 4X, IP66, DIN 40050.
- CSA certified Type 4 for use with industrial control equipment.

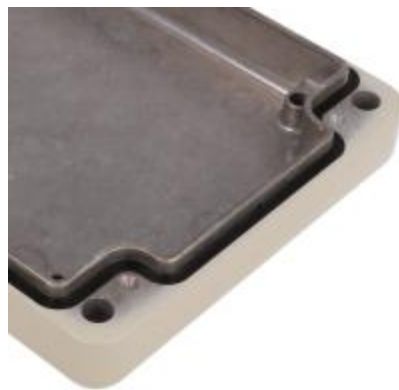
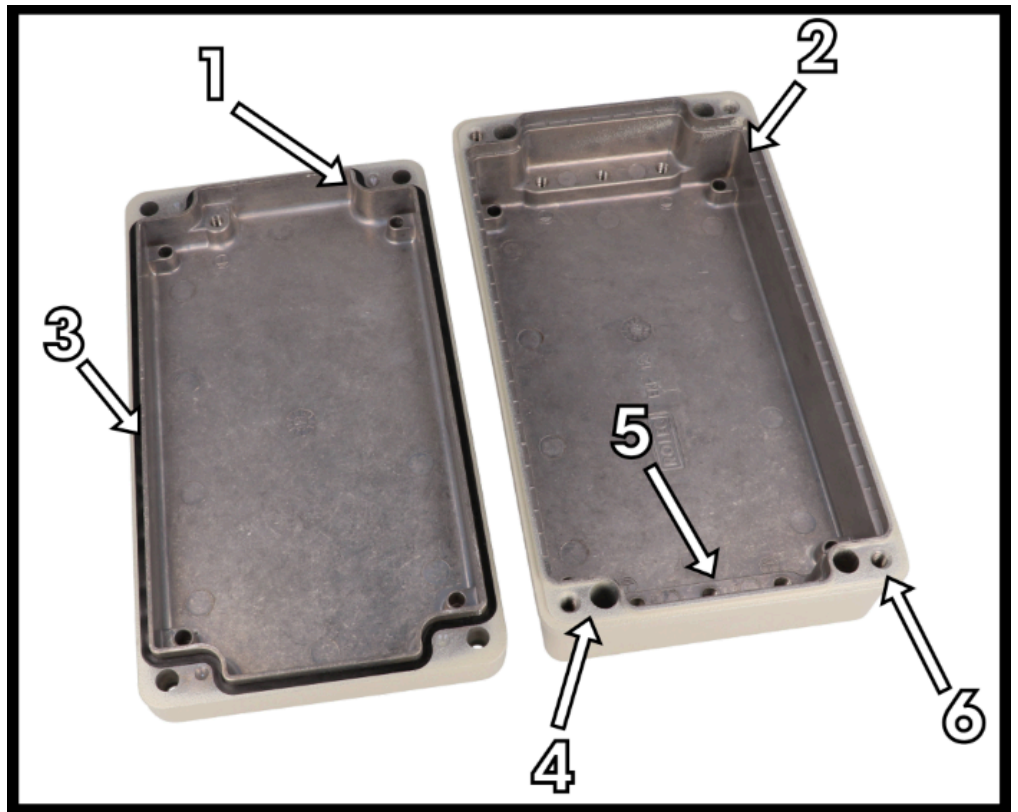


Photo Features



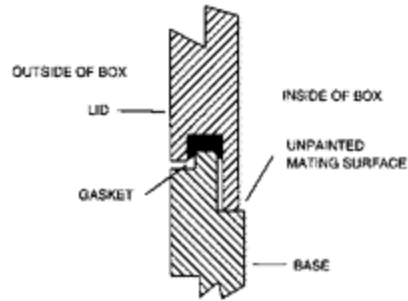
1. EMI/RFI enclosure body connection to lid is made inside the gasket seal. This eliminates corrosion problems that can appear later.
2. Lid EMI/RFI edge extends into enclosure and contacts teeth in enclosure body for a positive contact.
3. Gasket is outside of EMI/RFI contact points and inside of lid and mounting holes. No expensive conducting gasket required!
4. Screw and mounting holes are located outside of gasket seal.
5. Internal mounting shelves placed along both sides of enclosure include blind holes and grounding screws. There are many mounting holes for self tapping screws in both the enclosure and the lid which can also be used for mounting PC boards or plates.
6. Enclosure holes are threaded for easy installation and disassembly.

---

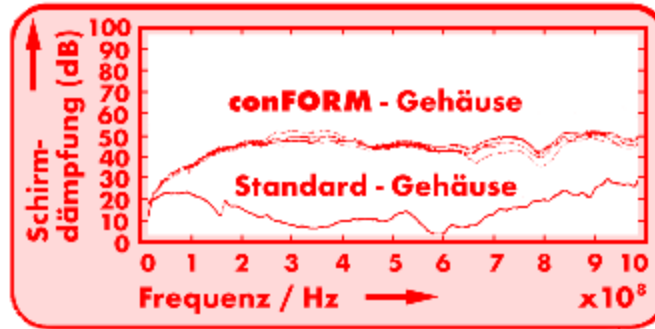
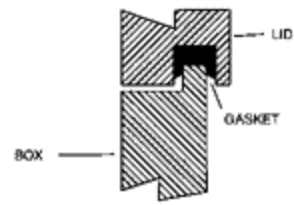
### Patented conFORM Series EMI/RFI Shielding Solution

The patented EV joint provides metal-to-metal contact for perfect EM shielding and is protected by the seal from dirt and corrosion. Teeth on enclosure bottom further ensure a positive connection. This new EV method eliminates the need for a special conductive gaskets or screens.

New EV-Enclosure method.



Common Enclosure method.



Accessories (see table below)



External Mounting Feet

Part No.	Length (mm)	Width (mm)	Depth With Lid (mm)	Mounting Feet
R111-081-000	84	79	44	R501-000-010
R110-081-000	84	79	67	R501-000-010
R111-082-000	84	129	44	R501-000-010
R110-082-000	84	129	67	R501-000-010
R111-083-000	84	179	44	R501-000-010
R110-083-000	84	179	67	R501-000-010
R111-121-000	125.5	127.5	60	R501-000-011
R110-121-000	125.5	127.5	90	R501-000-011

Part No.	Length (mm)	Width (mm)	Depth With Lid (mm)	Mounting Feet
R111-123-000	125.5	225.5	60	R501-000-011
R110-123-000	125.5	225.5	90	R501-000-011
R111-161-000	166	166	60	R501-000-012
R110-161-000	166	166	100	R501-000-012
R111-162-000	166	266	66	R501-000-012
R110-162-000	166	266	100	R501-000-012

Tags: **diecast, aluminum, Rolec, EMI, RFI, NEMA, shielded, conform**

*Data subject to change without notice.*

© 2026. Hammond Manufacturing Ltd. All rights reserved.