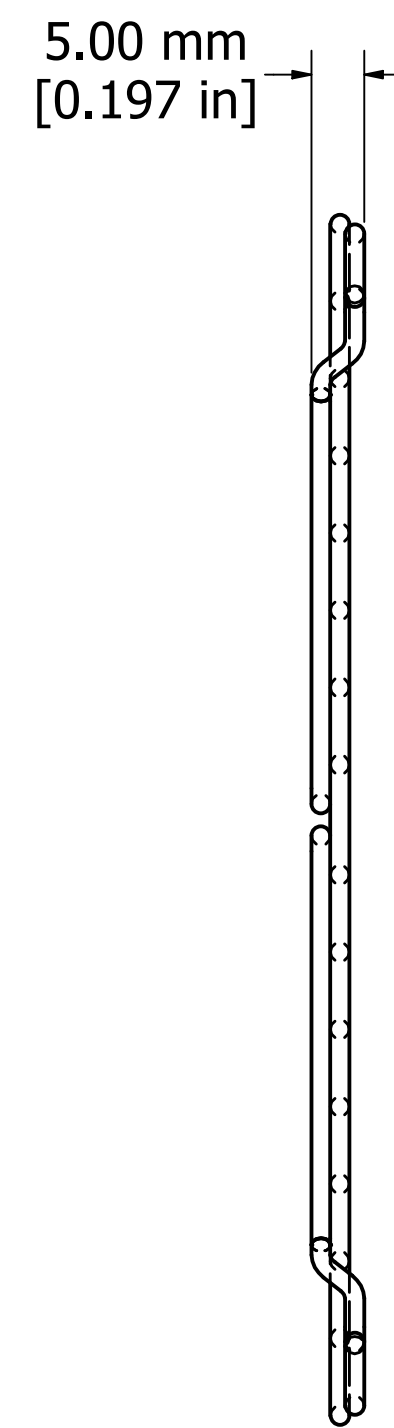
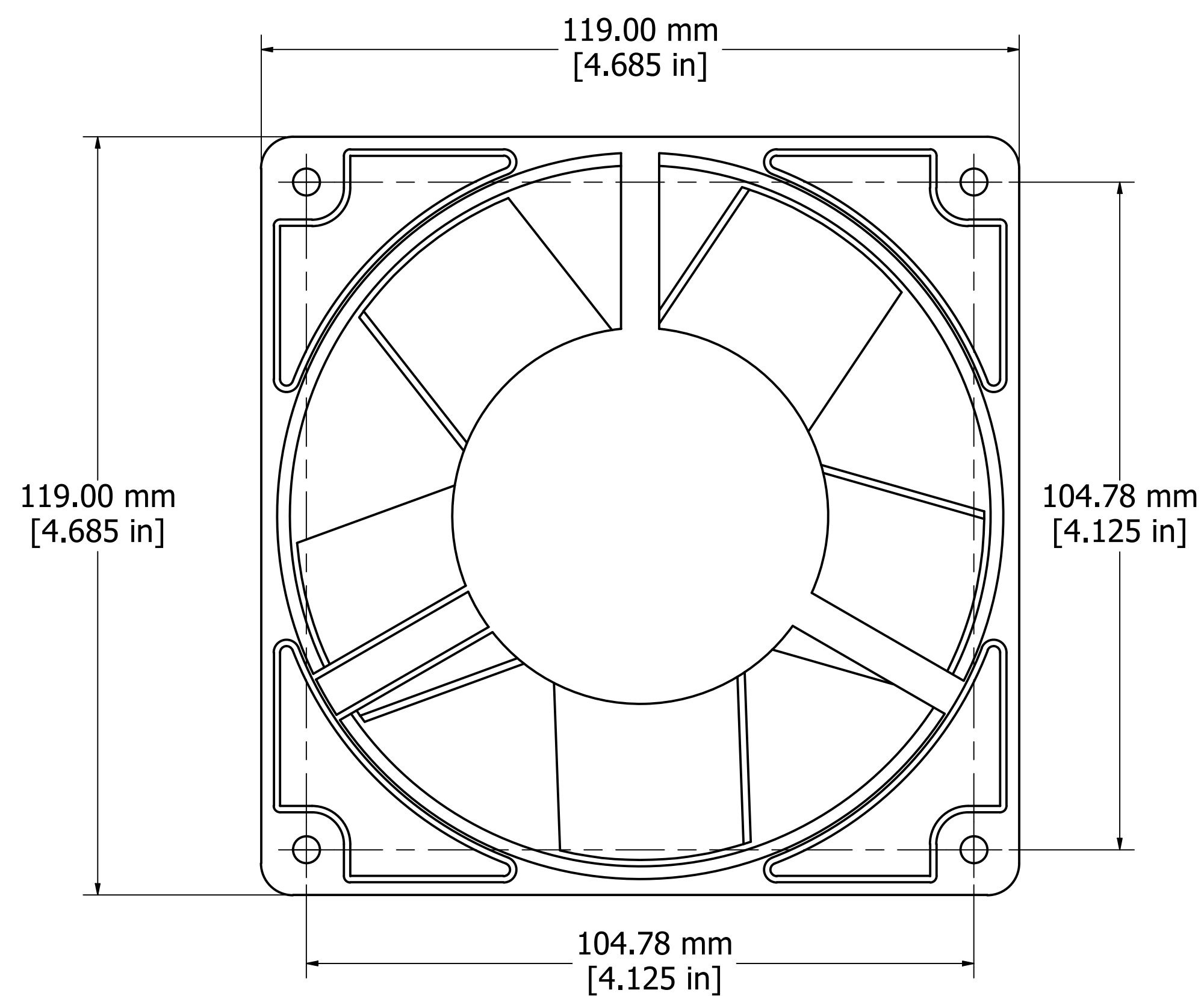


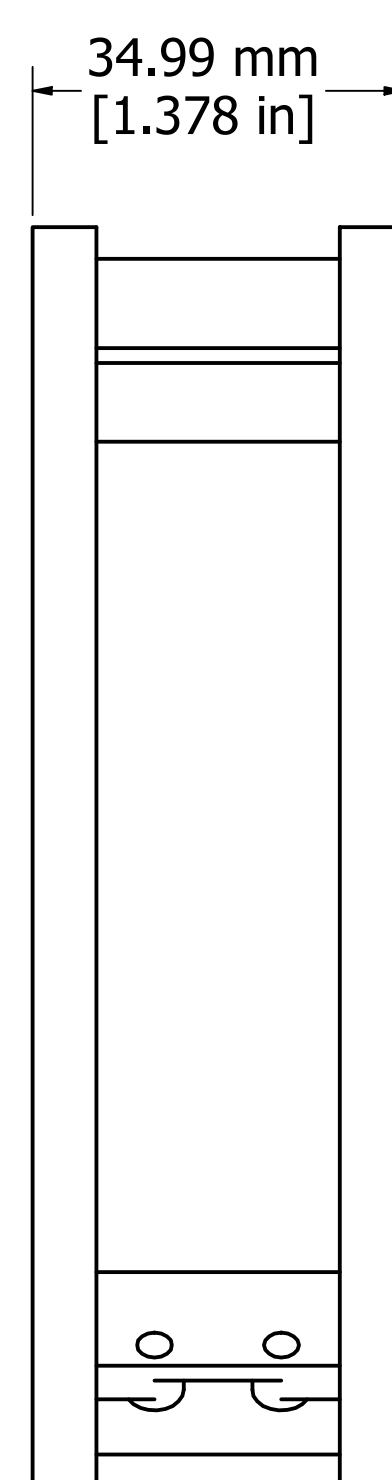
FAN GUARD TOP VIEW (8X)



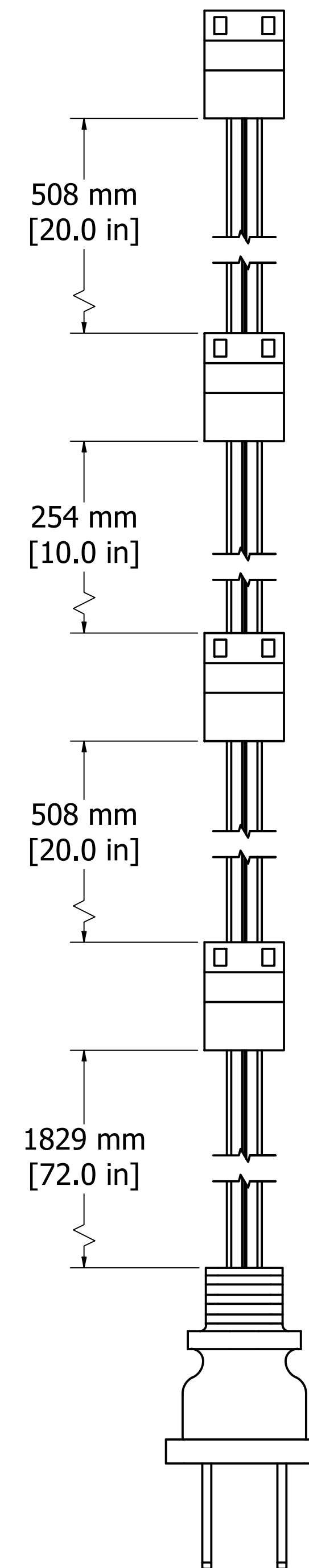
FAN GUARD SIDE VIEW



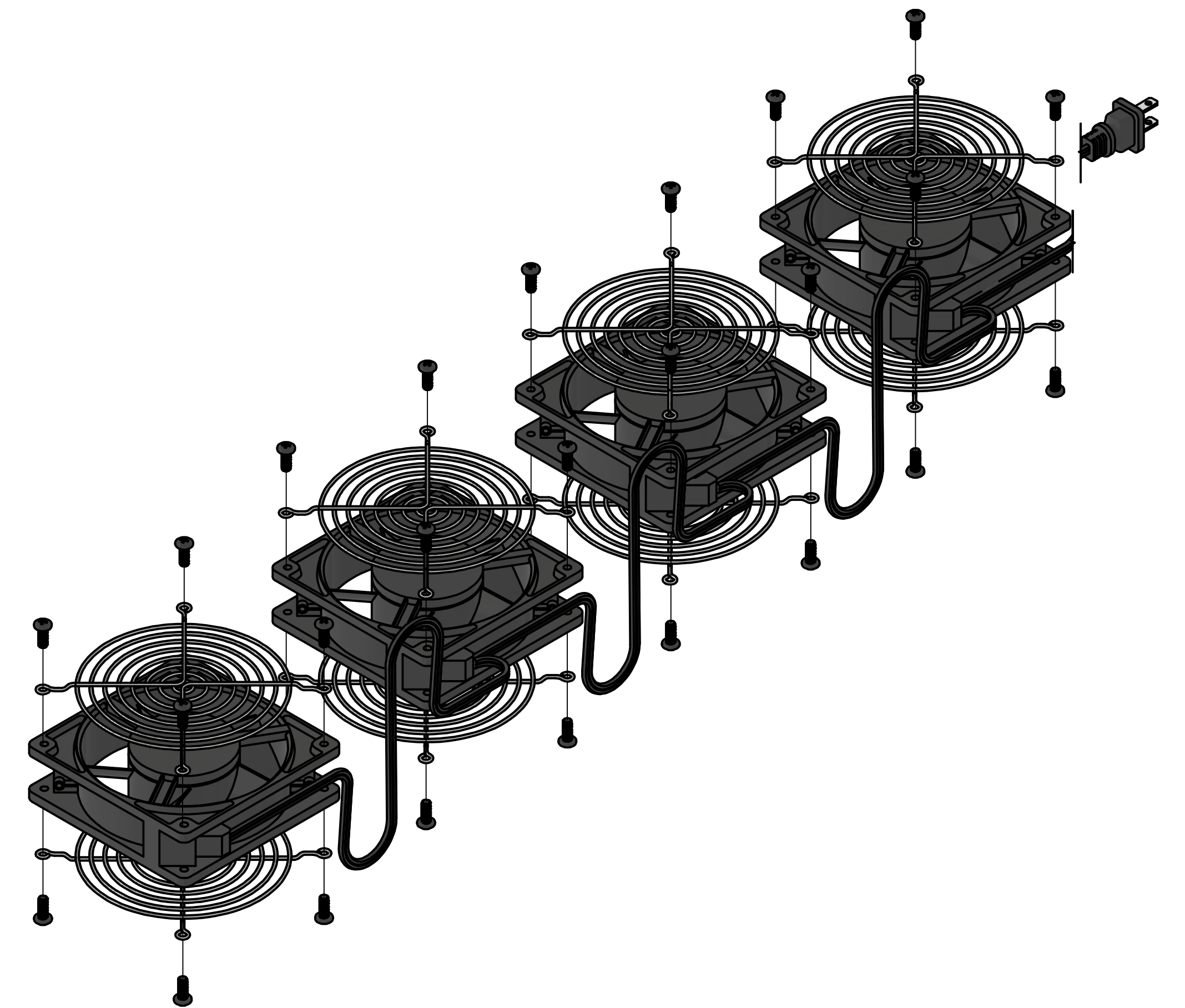
FAN TOP VIEW (4X)



FAN SIDE VIEW



NEMA 1-15P DAISY CHAIN (4 FAN) CORD (1X)



EXPLODED ASSEMBLY VIEW

DNFK4AC120
Guard Material/Finish - Crome Plated Steel
Fan Rating - 115 VAC, 50/60 Hz, 0.76 Amps, 400 CFM
Hardware
32 Screws - #10-32 x 1/2" Panhead



**HAMMOND
MANUFACTURING™**

DNFK4AC120

www.hammondmfg.com