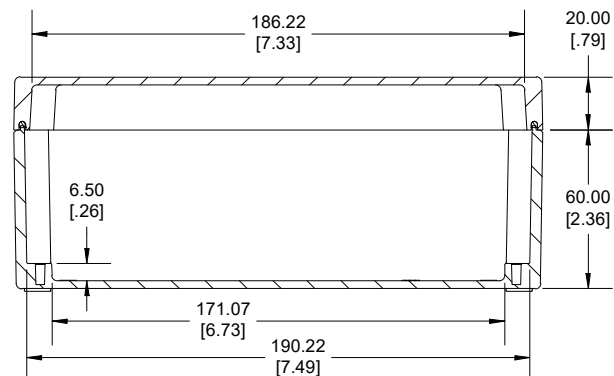
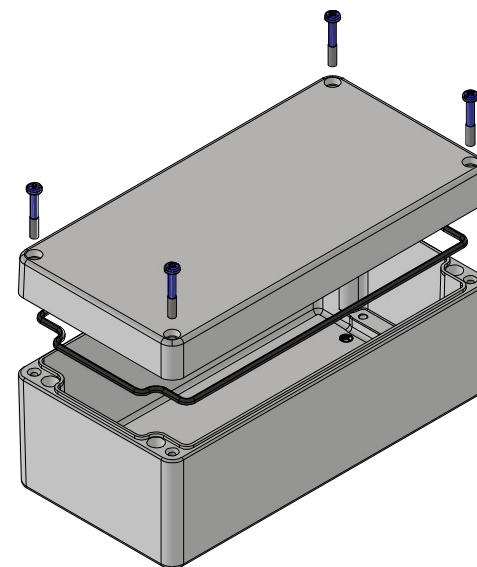
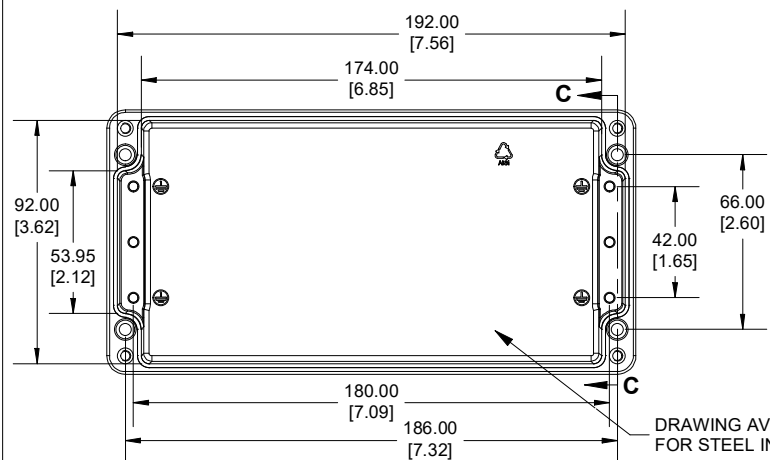
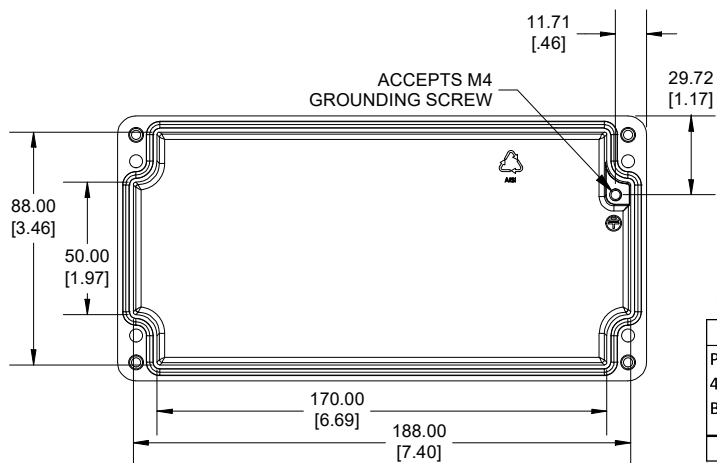


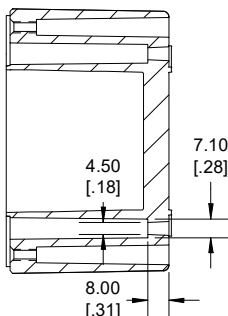
SECTION A-A



SECTION B-B



DRAWING AVAILABLE FOR STEEL INNER PANEL



SECTION C-C

Dimensions:
mm
[inches]

Enclosures can be Factory Modified (Milling, Drilling, Printing etc.)
Contact Factory (modshop@hammfg.com) for quotes
Solid models of this enclosure available in .stp or .x_t
(Part number and text placement/orientation on our products are subject to change, we do not recommend using them as a locating reference for modification purposes)

NOTE	
Purchased assembly includes box, lid, silicone gasket, 4 cover screws and 2 ground screws with washers.	
Box and lid are made from Diecast Aluminum Alloy.	
Recommended cover screw Torque 6.6-8.8 lbf.in (75-100 cN.m)	

1590Z145	
1590Z145 Enclosure	
Natural Enclosure	1590Z145
Black Enclosure	1590Z145BK
Grey Enclosure - RAL7001 Gloss	1590Z145GY
ACCESSORIES	
Steel Inner Panel	1590Z145PL
Pre-Formed Silicone Gasket (2 Pack)	1590Z145G
Copper Ground Hardware (50 Pack) [M4 - 0.7 X 6mm / M4 Washer]	SCGM4-50
Stainless Steel Cover screws (50 pkg) [M4 - 0.7 x 25mm PN]	SC583-50

HAMMOND
1590Z145
www.hammondmfg.com