



**Mallory Sonalert Products, Inc.**

Part #:

**FWM22-FJ6-S0M2**

## Sales Outline Drawing

Revision:

**A**

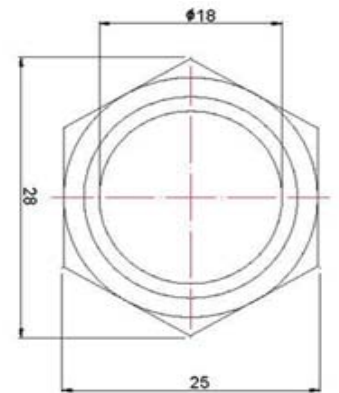
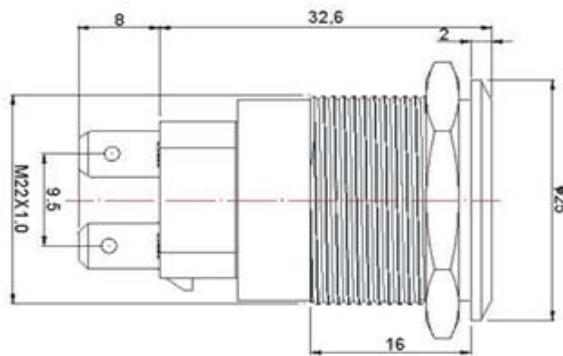
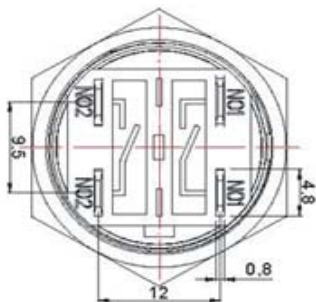
### Specifications:

May not be suitable for all Medical and Aerospace applications.  
Contact Mallory Sonalert to discuss your application.

Panel Hole	22 mm
Rated Voltage (VDC / VAC)	36 / 250
Rated Current (A) DC / AC	15 / 20
Switch Function	OFF-MOM
Circuit	SPST 1NO
Storage & Operating Temperature	-25 °C to +85 °C
Ingress Protection Rating	IP65
Shock Resistance	IK08
Material, Button	Stainless Steel
Material, Shell	Stainless Steel
Material, Nut	H59 Brass
Material, Housing	PA66+GF20%
Termination Type	Flat Blades-4.8mm

### Dimensions (mm):

**RoHS Compliant**



### CONNECTION DIAGRAM:

### PANEL HOLE:

