

Sales Outline Drawing

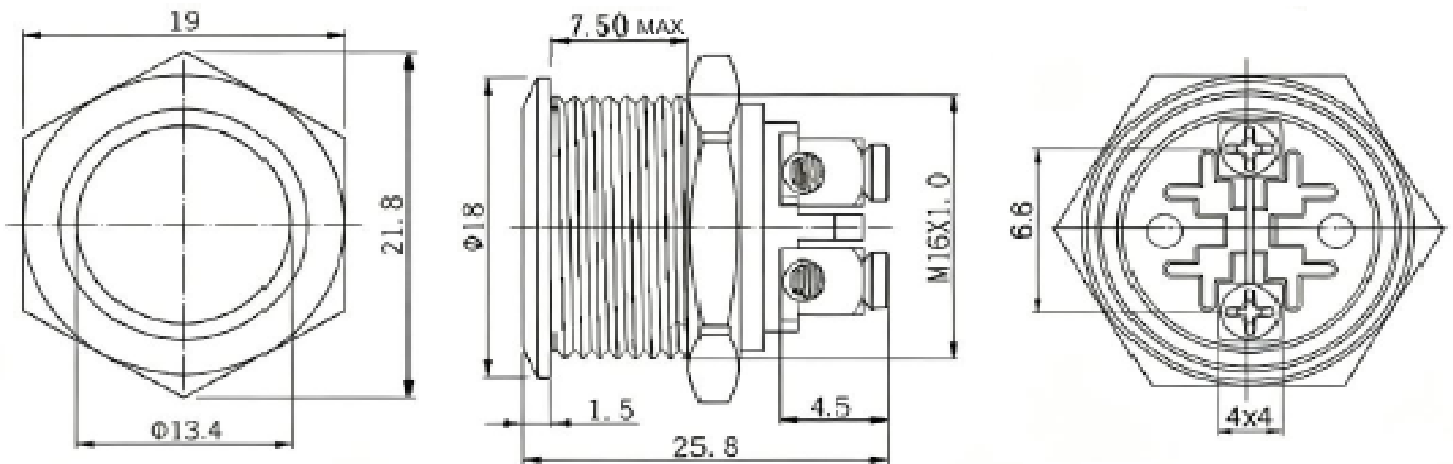
Specifications:

May not be suitable for all Medical and Aerospace applications.
Contact Mallory Sonalert to discuss your application.

Panel Hole	16 mm
Rated Voltage (VDC / VAC)	36 / 250
Rated Current (A) DC / AC	5 / 5
Switch Function	OFF-MOM
Circuit	SPST 1NO
Storage & Operating Temperature	-25 °C to +85 °C
Ingress Protection Rating	IP65
Shock Resistance	IK09
Material, Button	Stainless Steel
Material, Shell	Stainless Steel
Material, Ring	Silica Gel
Material, Nut	H59 Brass
Material, Housing	PA66+GF20%
Termination Type	Screw

Dimensions (mm):

RoHS Compliant



CONNECTION DIAGRAM:

PANEL HOLE:

