



**Mallory Sonalert Products, Inc.**

Part #:

**FWM12-HJ1-S0M2**

**Sales Outline Drawing**

Revision:

**A**

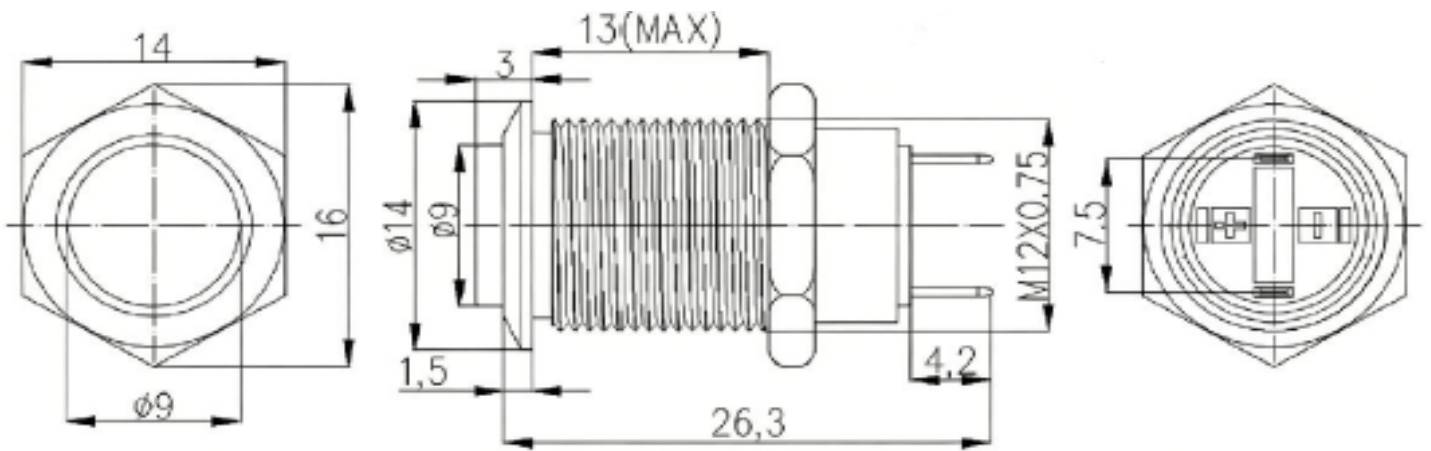
**Specifications:**

May not be suitable for all Medical and Aerospace applications.  
Contact Mallory Sonalert to discuss your application.

Panel Hole	12 mm
Rated Voltage (VDC / VAC)	36 / 250
Rated Current (A) DC / AC	2 / 1
Switch Function	OFF-MOM
Circuit	SPST 1NO
Storage & Operating Temperature	-25 °C to +85 °C
Ingress Protection Rating	IP65
Shock Resistance	IK08
Certifications	UL, cUL listed under Series FLM12-HJ-1
Material, Button	Stainless Steel
Material, Shell	Stainless Steel
Material, Ring	Silica Gel
Material, Nut	H59 Brass
Material, Housing	PA66+GF20%
Termination Type	Solder Lug

**Dimensions (mm):**

**RoHS Compliant**



**CONNECTION DIAGRAM:**

**PANEL HOLE:**

