

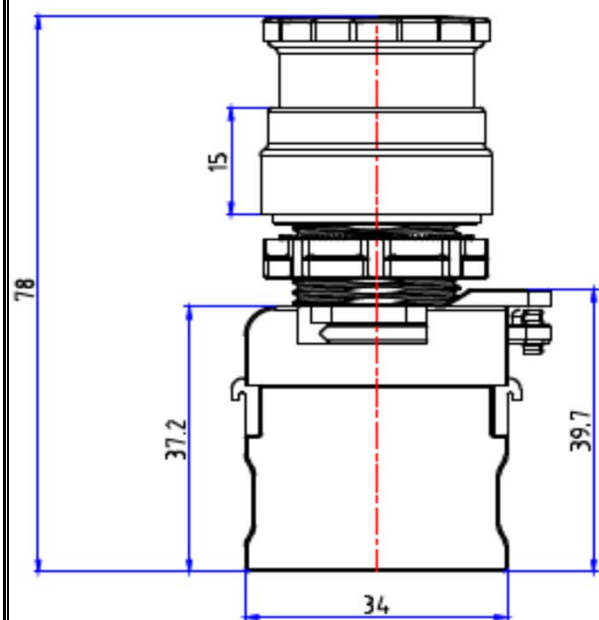
Sales Outline Drawing

Specifications:

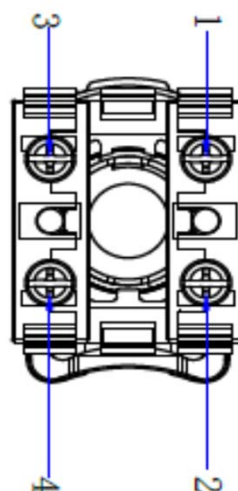
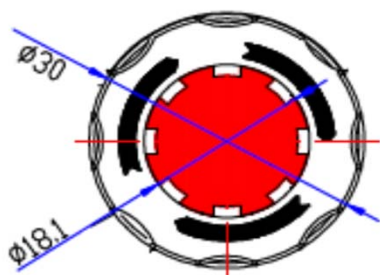
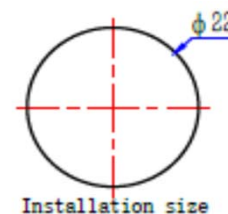
May not be suitable for all Medical and Aerospace applications.
Contact Mallory Sonalert to discuss your application.

Panel Hole (mm)	22 mm
Switch Rated Voltage VAC	110 / 250
Switch Rated Current AAC	10 / 5
Switch Function	ON-ON; SELF-LOCKING
Circuit	SPDT 1NO1NC
Operating Temperature	-20 °C to 70 °C
Ingress Protection Rating	IP65
Material, Button	PC Plastic
Material, Base	PA66
Material, Nut	PA66 M22*1
Material, Housing	PA66
Termination Type	Screws

RoHS Compliant



PANEL HOLE



CONNECTION DIAGRAM

