

Sales Outline Drawing

Specifications:

May not be suitable for all Medical and Aerospace applications.
Contact Mallory Sonalert to discuss your application.

Panel Hole (mm)	22 mm
Switch Rated Voltage (VDC / VAC)	36 / 250
Switch Rated Current (A) DC / AC	20 / 20
LED Rated Voltage (VDC)	10.8-13.2
LED Rated Current (mA)	≤20
Button Color	Green
Switch Function	OFF-ON
Circuit	SPST 1NO
Storage & Operating Temperature	-25 °C to +85 °C
Ingress Protection Rating	IP65
Shock Resistance	IK09
Material	PC Plastic, PA66+GF20%, Stainless
Termination Type	Flat Blades-4.8mm

RoHS Compliant

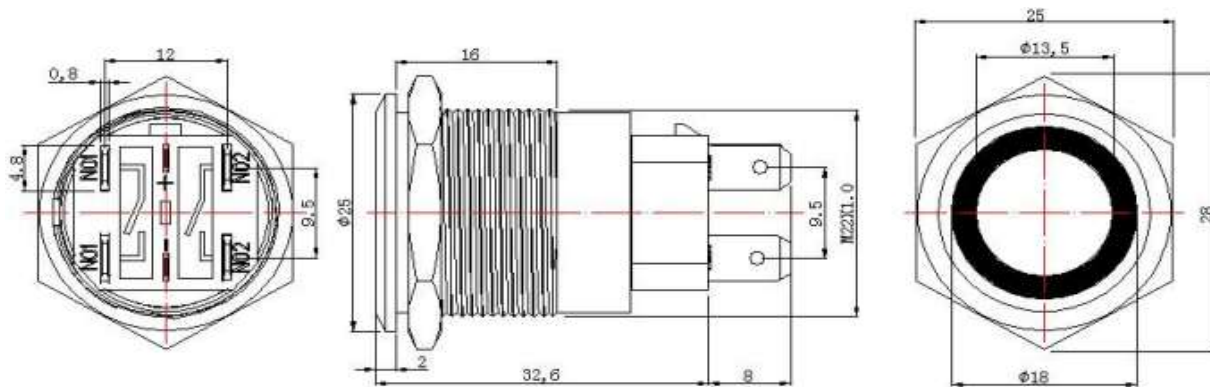
Part Number:

FPM22-FJ6-S0Z4G12*

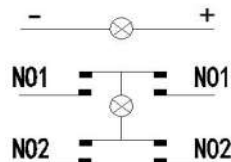
* NOTES LED COLOR & VDC

- R RED
- G GREEN
- B BLUE
- Y YELLOW
- W WHITE
- BLANK CLEAR

Dimensions (mm):



CONNECTION DIAGRAM:



PANEL HOLE:

