

**Sales Outline Drawing**

**Specifications:**

May not be suitable for all Medical and Aerospace applications.  
Contact Mallory Sonalert to discuss your application.

Panel Hole (mm)	16 mm
Switch Rated Voltage (VDC)	12
Switch Rated Current (mA) DC	50
LED Rated Voltage (VDC)	3-3.2
LED Rated Current (mA)	≤20
Button Color	Green
Switch Function	OFF-MOM
Circuit	SPST 1NO
Storage & Operating Temperature	-25 °C to +85 °C
Ingress Protection Rating	IP67
Shock Resistance	IK08
Material	PC Plastic, PA66+GF20%, Stainless
Termination Type	Wires
Wire Specification	7.3" (185 mm) PVC AWG18

**RoHS Compliant**

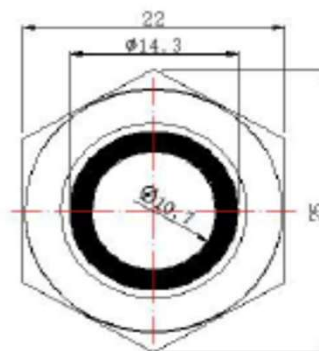
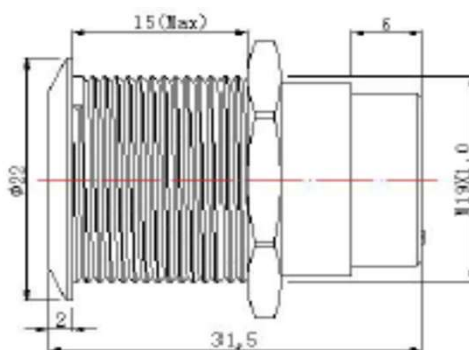
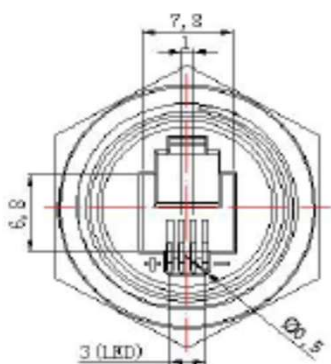
**Part Number:**

**FPM16-FW5-S0M4G3\***

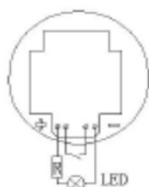
\* NOTES LED COLOR & VDC

- R RED
- G GREEN
- B BLUE
- Y YELLOW
- W WHITE
- BLANK CLEAR

**Dimensions (mm):**



**CONNECTION DIAGRAM:**



**PANEL HOLE:**

