

**Sales Outline Drawing**

**Specifications:**

May not be suitable for all Medical and Aerospace applications.  
Contact Mallory Sonalert to discuss your application.

Panel Hole (mm)	16 mm
Switch Rated Voltage (VDC / VAC)	36 / 250
Switch Rated Current (A) DC / AC	5 / 5
LED Rated Voltage (VDC)	3-3.2
LED Rated Current (mA)	≤20
Button Color	Green
Switch Function	OFF-MOM
Circuit	SPST 1NO
Storage & Operating Temperature	-25 °C to +85 °C
Ingress Protection Rating	IP65
Shock Resistance	IK08
Material	PC Plastic, PA66+GF20%, Stainless
Termination Type	Solder Lugs

**RoHS Compliant**

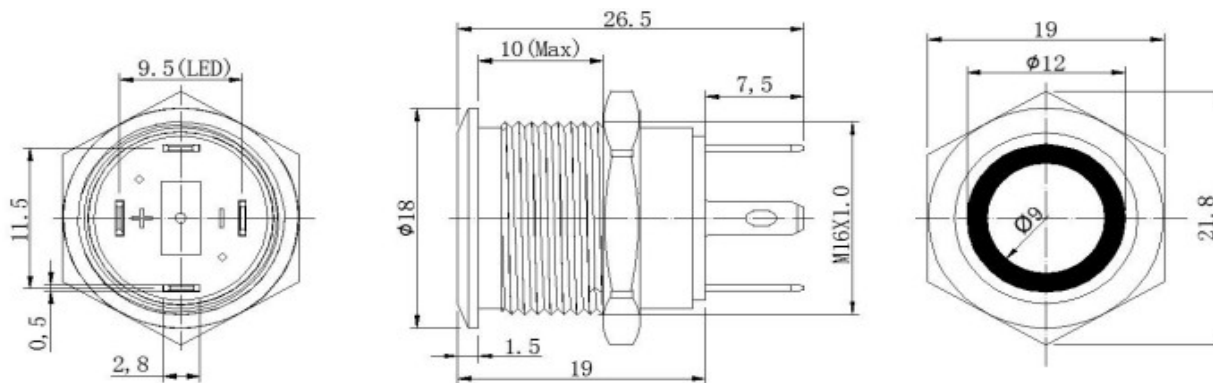
**Part Number:**

**FPM16-FJ2-S0M4G3\***

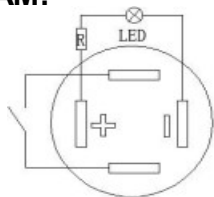
\* NOTES LED COLOR & VDC

- R RED
- G GREEN
- B BLUE
- Y YELLOW
- W WHITE
- BLANK CLEAR

**Dimensions (mm):**



**CONNECTION DIAGRAM:**



**PANEL HOLE:**

