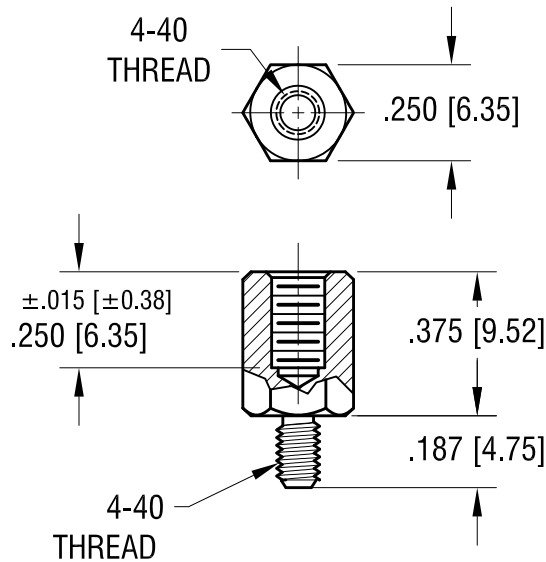
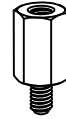


THIS DOCUMENT IS THE PROPERTY OF
KEYSTONE ELECTRONICS CORP. AND
SHALL NOT BE REPRODUCED, DISTRIBUTED
OR USED AS A BASIS FOR MANUFACTURE
WITHOUT PRIOR WRITTEN PERMISSION
FROM KEYSTONE ELECTRONICS CORP.

ACTUAL SIZE



KEYSTONE ELECTRONICS CORP.

www.keyelco.com • NEW HYDE PARK, NY 11040 • Tel (516) 328-7500

PART NAME

HEX M/F STANDOFF

MATERIAL

LEAD FREE ALUMINUM

FINISH

CLEAR IRIDITE

DRN BY

BOONE

DATE

4.26.94

APP'D

RH

SCALE

2X

1.10.24

CHANGE AS PER ECR 24-026

A

TOLERANCES

INCH [MM]

CODE

DWG NO.

DECIMAL

± .005 [± 0.13]

C

8400

ANGULAR ± 1°

UNLESS OTHERWISE SPECIFIED

DATE

DESCRIPTION

REV.