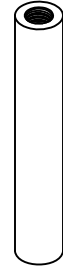
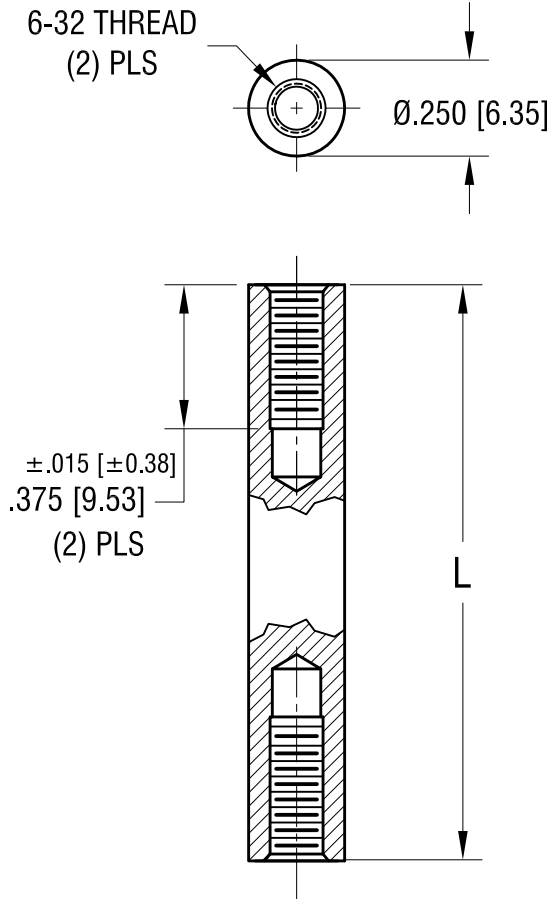


THIS DOCUMENT IS THE PROPERTY OF  
KEYSTONE ELECTRONICS CORP. AND  
SHALL NOT BE REPRODUCED, DISTRIBUTED  
OR USED AS A BASIS FOR MANUFACTURE  
WITHOUT PRIOR WRITTEN PERMISSION  
FROM KEYSTONE ELECTRONICS CORP.

ACTUAL SIZE



P/N 3490



PART NO.	'L' DIM.
3490	1.500 [38.10]
3491	2.000 [50.80]

**KEYSTONE ELECTRONICS CORP.**  
www.keyelco.com • NEW HYDE PARK NY 11040 • Tel (516)328-7500

PART NAME  
**THREADED ROUND STANDOFF**

MATERIAL  
**LEAD FREE ALUMINUM**

FINISH  
**CLEAR IRIDITE**

DRN BY **BOONE** DATE **3.09.98**  
APP'D **RH** SCALE **2X**

TOLERANCES INCH [MM]  
DECIMAL  $\pm .005$  [ $\pm 0.13$ ]  
ANGULAR  $\pm 1^\circ$   
UNLESS OTHERWISE SPECIFIED

CODE  
**C**

DWG NO.  
**3490-3491**

1.04.24	CHANGE AS PER ECN 24-010	A
DATE	DESCRIPTION	REV.