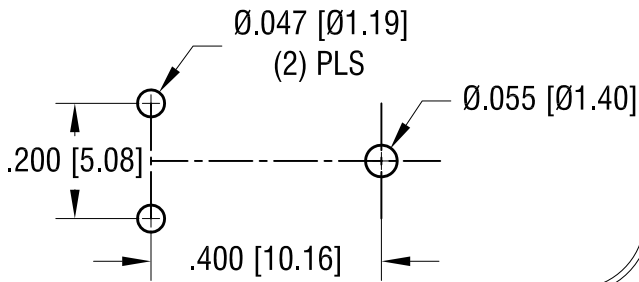
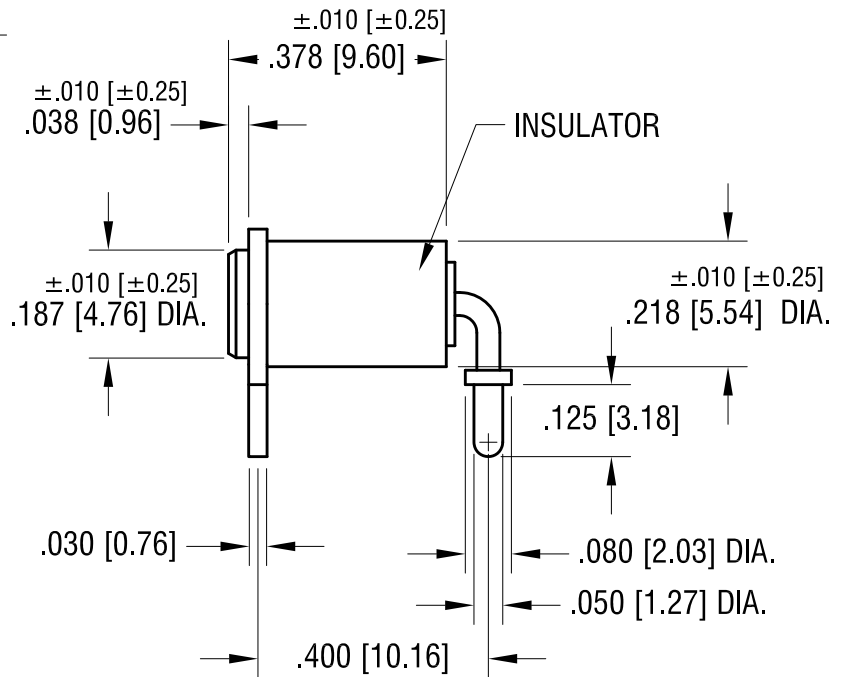
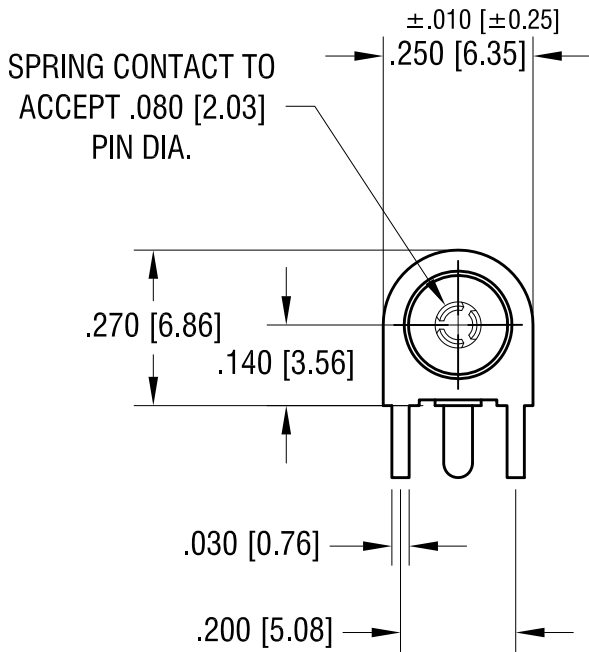


THIS DOCUMENT IS THE PROPERTY OF KEYSTONE ELECTRONICS CORP. AND SHALL NOT BE REPRODUCED, DISTRIBUTED OR USED AS A BASIS FOR MANUFACTURE WITHOUT PRIOR WRITTEN PERMISSION FROM KEYSTONE ELECTRONICS CORP.

**MOUNTING DETAIL**



**ACTUAL SIZE**



**NOTES:**

1. TERMINAL JACK: MAT'L - BERYLLIUM COPPER (QQ-C-533)
2. BUSHING: MAT'L - PTFE
3. MOUNTING BRACKET: MAT'L - BRASS

| PART NO. | COLOR |
|----------|-------|
| 11014    | WHITE |
| 11014-R  | RED   |
| 11014-B  | BLACK |

|          |                          |      |
|----------|--------------------------|------|
| 10.11.11 | CHANGE AS PER ECN 11-132 | A    |
| DATE     | DESCRIPTION              | REV. |

|  |                 |        |               |
|--|-----------------|--------|---------------|
| <b>KEYSTONE ELECTRONICS CORP.</b>                            |                 |        |               |
| www.keyelco.com • NEW HYDE PARK NY 11040 • Tel (516)328-7500 |                 |        |               |
| PART NAME  |                 |        |               |
| HORIZONTAL INSULATED TEST JACK                               |                 |        |               |
| MATERIAL   |                 |        |               |
| AS NOTED   |                 |        |               |
| FINISH   |                 | DRN BY | DATE          |
| GOLD PLATE   |                 | NT     | 7.10.07       |
|  |                 | APP'D  | SCALE         |
|  |                 | RH     | 3X            |
| TOLERANCES   | INCH [MM]       | CODE   | DWG NO.       |
| DECIMAL  | ± .005 [± 0.13] | C      | <b>11014-</b> |
| ANGULAR  | ± 1°            |        |               |
| UNLESS OTHERWISE SPECIFIED                                   |                 |        |               |