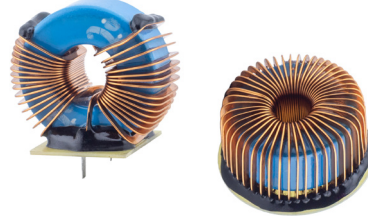


SERIES: SHFWT | DESCRIPTION: HELICAL WOUND FLAT WIRE TOROIDAL INDUCTORS

FEATURES

- Operating temperature -40°C to +150°C
- Reduced AC resistance
- Low winding capacitance
- Great heat dissipation
- Good DC bias characteristics
- Moderate power loss
- Vertical and horizontal mount versions available



MODEL	Inductance ¹ ±12% [μH]	DC Resistance (DCR) max [mΩ]	Saturation Current ² (Isat) typ			Temperature Rise Current ³ (Irise) typ 40°C rise [A]	Mounting
			10% drop [A]	20% drop [A]	30% drop [A]		
SHFWT-121-V	120.0	65.0	5.8	8.5	11.3	6.0	vertical
SHFWT-121-H	120.0	65.0	5.8	8.5	11.3	6.0	horizontal
SHFWT-281-V	280.0	65.0	2.5	3.8	5.0	6.0	vertical
SHFWT-281-H	280.0	65.0	2.5	3.8	5.0	6.0	horizontal
SHFWT-361-V	360.0	65.0	2.0	3.0	4.1	6.0	vertical
SHFWT-361-H	360.0	65.0	2.0	3.0	4.1	6.0	horizontal

Notes:

Electrical parameters measured @ 25°C

¹ Inductance measured at 10 kHz, 1 Vrms.

² Isat is DC current at which the inductance drops the specified amount from its original value without bias.

³ Irise is the DC current that causes the specified temperature rise of the winding from 25°C ambient for the inductor.

PART NUMBER KEY

SHFWT - XXX - X

Type / Product Series

SHFWT = Signal Helical Wound Flat Wire Toroidal Inductors

Inductance

121 = 120.0 μH

281 = 280.0 μH

361 = 360.0 μH

Mounting

V = vertical

H = horizontal

SAFETY AND COMPLIANCE

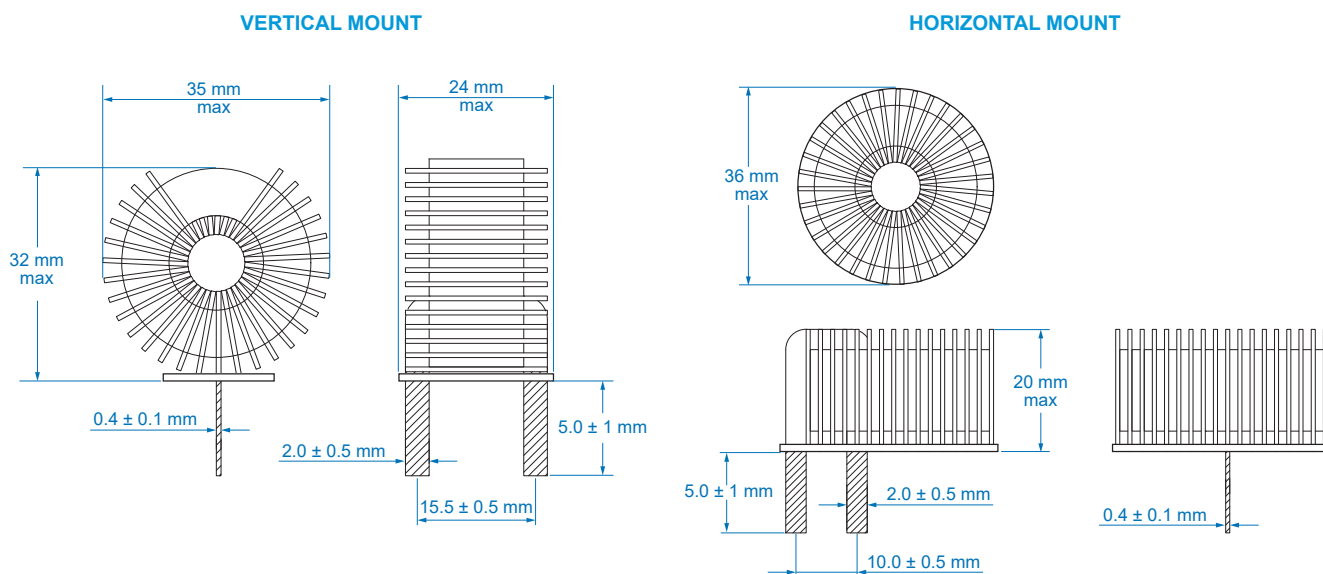
Parameter	Compliant
Safety approvals	
RoHS	Compliance with RoHS, REACH and Halogen Free

ENVIROMENTAL

Parameter	Conditions	Min	Typ	Max	Units
Operating temperature		-40		+150	°C

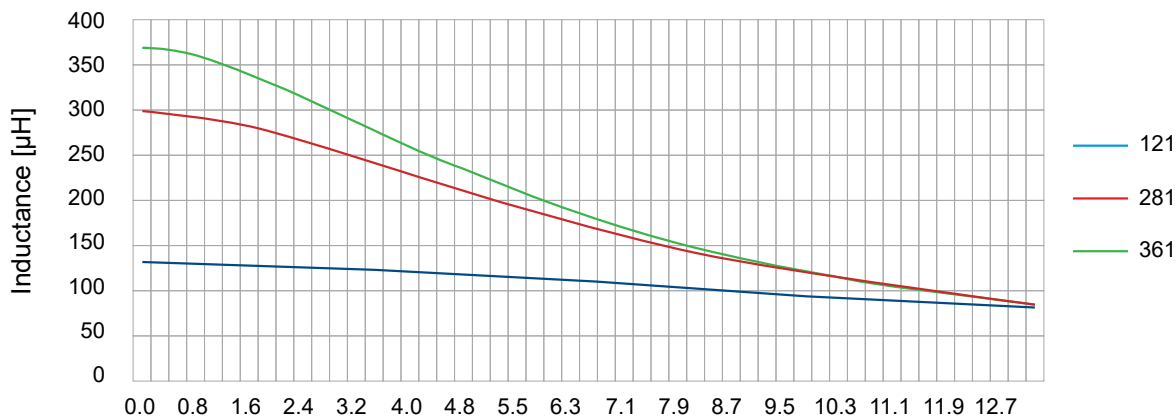
MECHANICAL DRAWING & DIMENSIONS

Units: mm



PERFORMANCE CURVES

DC BIAS CHARACTERISTICS



REVISION HISTORY

Rev.	Description	Date
1	initial release	12/08/2025
A		

NUCLEAR AND MEDICAL APPLICATIONS - Products are not designed or intended for use as critical components in life support systems, equipment used in hazardous environments, or nuclear control systems.

TECHNICAL REVISIONS - The appearance of products, including safety agency certifications pictured on labels, may change depending on the date manufactured. Specifications are subject to change without notice.



Bel Fuse Inc.
300 Executive Drive, Suite 300
West Orange, NJ 07052
United States

© 2025 Bel Fuse Inc.

Toll Free 866-239-5777
Tel 516-239-5777 | Fax 516-239-7208
sales@signaltransformer.com
techhelp@signaltransformer.com

belfuse.com