



Product availability: Non-Stock - Not normally stocked in distribution facility



Main

| | |
|------------------------------------|---------------------------------------|
| Range | TeSys |
| Product or component type | Rotary handle |
| Device short name | GV7AP |
| Range compatibility | TeSys TeSys GV7 motor circuit breaker |
| Accessory / separate part category | Control accessory |

Complementary

| | |
|---------------------------------|---|
| Handle colour | Black |
| Handle front plate colour | Black |
| Rotary handle mounting location | Front |
| Rotary handle mounting style | Direct |
| Rotary handle padlocking | Padlock in OFF position 1 to 3 padlocks 5...8 mm |
| Product weight | 0.45 lb(US) (0.205 kg) |

Environment

| | |
|-------------------------|------|
| IP degree of protection | IP40 |
|-------------------------|------|

Ordering and shipping details

| | |
|-----------------------|------------------------------------|
| Category | 22366 - MAN STR PROTECTORS-GV1/GV3 |
| Discount Schedule | I11 |
| GTIN | 00785901617938 |
| Nbr. of units in pkg. | 1 |
| Package weight(Lbs) | 0.5300000000000003 |
| Returnability | N |
| Country of origin | FR |

Offer Sustainability

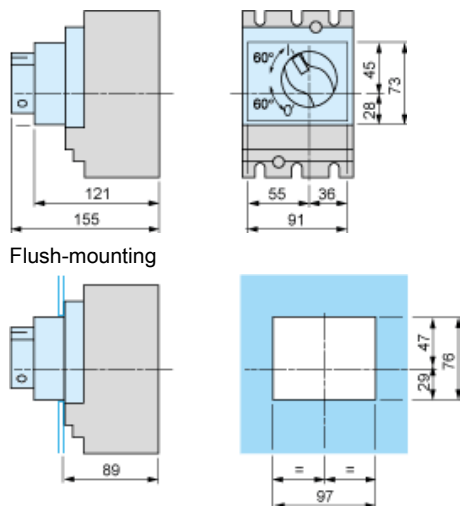
| | |
|----------------------------------|--|
| Sustainable offer status | Green Premium product |
| RoHS (date code: YYWW) | Compliant - since 0744 - Schneider Electric declaration of conformity Schneider Electric declaration of conformity |
| REACH | Reference not containing SVHC above the threshold |
| Product environmental profile | Available |
| Product end of life instructions | Need no specific recycling operations |
| California proposition 65 | WARNING: This product can expose you to chemicals including: |
| - - - - - Substance 1 | Lead and lead compounds, which is known to the State of California to cause cancer and birth defects or other reproductive harm. |
| - - - - - More information | For more information go to www.p65warnings.ca.gov |

The information provided in this documentation contains general descriptions and/or technical characteristics of the performance of the products contained herein. This documentation is not intended as a substitute for and is not to be used for determining suitability or reliability of these products for specific user applications. It is the duty of any such user or integrator to perform the appropriate and complete risk analysis, evaluation and testing of the products with respect to the relevant specific application or use thereof. Neither Schneider Electric Industries SAS nor any of its affiliates or subsidiaries shall be responsible or liable for misuse of the information contained herein.

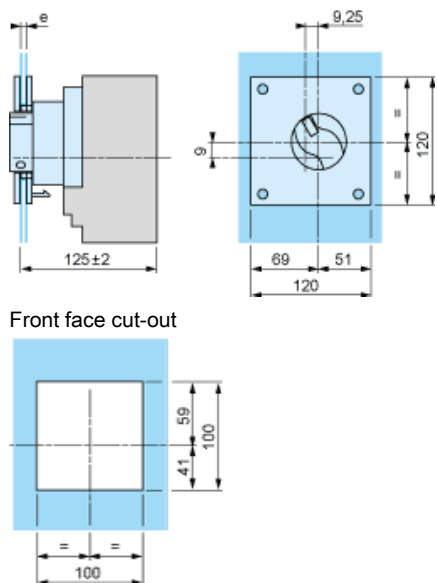
Contractual warranty

| | |
|-----------------|-----------|
| Warranty period | 18 months |
|-----------------|-----------|

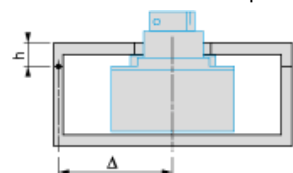
Direct Rotary Handle GV7AP03, GV7AP04



Direct Rotary Handle GV7AP03 or GV7AP04 with Conversion Accessory GV7AP05



Enclosure viewed from top



Door cut-outs require a minimum distance between the centre of the circuit breaker and the door hinge point $\Delta \geq 100 + (h \times 5)$