

HMIBMU0I29D200A

Modular box PC, Harmony iPC, HMIBM Universal DC Base unit 8 GB 2 slots



Main

| | |
|---------------------------|---|
| Range of Product | Harmony iPC |
| Product or Component Type | Modular box PC |
| Device short name | Modular BOX PC Universal |
| Chipset type | Intel QM87 |
| Free slots | 2 Internal SATA HDD/SSD with slide-in HMIYMADSDD1 to mount hot swap RAID with Intel Rapid Storage Technology 1 CFast 1 mSATA |
| Video controller type | Intel HD Graphics |
| Software package | Node-RED and system nodes restore IloT Wiring Operating System Restore McAfee white listing installer cyber security license not included EcoStruxure secure connect advisor annual subscription cyber security license not included EcoStruxure Operator Terminal Expert run time HMI license not included EcoStruxure machine SCADA expert run time HMI/SCADA on configured offer only EcoStruxure augmented operator advisor server augmented operator license not included |

Complementary

| | |
|---------------------------------------|--|
| Range Compatibility | Modular Display HMIDM IDisplay |
| Accessory / separate part destination | PC panel HMIDM modular display |
| Mounting Location | Flat mounting Wall mounting Book mounting |
| Processor name | Intel Celeron 2980U |
| Memory description | 8 GB RAM DDR3 internal not expandable) 512 kB MRAM internal |
| Number of slots | 2 mini PCI Express full-size |
| Display resolution | 3200 x 2000 pixels at 60 Hz |
| Watchdog timer | 1...255 ms |
| Type of cooling | Fanless Fan required to mount PCI/PCIe cards above 3 W |
| Electrical connection | Screw connector pin, 1 way ground bottom Connector SMA, 3 ways top |
| Integrated connection type | Display port 1 bottom Display port 1 front Ethernet 2 RJ45 I210 10/100/1000 Mbps bottom IEEE 1588 supported COM1 serial link battery backup 1 male SUB-D 9 RS232/422/485 bottom USB 2.0 port 2 USB type A 480 Mbit/s bottom USB 3.0 port 2 USB type A 5 Gbit/s bottom TPM connector Ver 1.2 cyber security - hardware encryption TPM module HMIYMINATPM201 to be installed/default installed motherboard |
| [Us] rated supply voltage | 24 V DC power supply 100...240 V AC power supply |
| Supply voltage limits | 18...36 V |
| Inrush current | 8.9 A |

The information provided in this documentation contains general descriptions and/or technical characteristics of the performance of the products contained herein. This documentation is not intended as a substitute for and is not to be used for determining suitability or reliability of these products for specific user applications. It is the duty of any such user or integrator to perform the appropriate and complete risk analysis, evaluation and testing of the products with respect to the relevant specific application or use thereof. Neither Schneider Electric Industries SAS nor any of its affiliates or subsidiaries shall be responsible or liable for misuse of the information contained herein.

| | |
|---|---|
| Power consumption in W | 35.0 W box) 39.0 W with 4:3 12" display HMIDM6421) 37.0 W with Wide 12" display HMIDM6521) 40 W with 4:3 15" display HMIDM7421) 41 W with Wide 15" display HMIDM7521) 43 W with Wide 19" display HMIDM9521) 45 W with Wide 22" display HMIDMA521) |
| Control type | ON/OFF button |
| Depth | 2.57 in (65.2 mm) |
| Height | 8.15 in (207 mm) |
| Width | 10.00 in (254 mm) |
| Net Weight | 6.83 lb(US) (3.1 kg) |
| Impregnation material | Conformal coated |
| Number of slots available for expansion | 2 mini PCIe |

Environment

| | |
|---------------------------------------|--|
| Standards | Class A group 1 EN 55011 EN 61000-6-4 EN 61131-2 FCC part 15 UL 61010 |
| Product certifications | CE CULus CULus CSA 22-2 No 142 CULus HazLoc Class I Division 2 ANSI/ISA 12-12-01 CULus HazLoc Class I Division 2 CSA 22-2 No 213 ATEX CCC RCM EAC IEC Ex hazardous locations 3GD zone 2/22 |
| Quality labels | CE |
| Directives | 2006/95/EC - low voltage directive 2004/108/EC - electromagnetic compatibility |
| IP degree of protection | IP40 conforming to IEC 60529 |
| Electromagnetic compatibility | Immunity to high frequency interference IEC 61000-4 Disturbing field emissionclass A EN 55011 Conducted and radiated emissionsclass A EN 55022 |
| Ambient air temperature for storage | -22...158 °F (-30...70 °C) IEC 60068-2-2 -22...158 °F (-30...70 °C) IEC 60068-2-14 |
| Relative Humidity | 10...95 % non-condensing EN/IEC 60068-2-30 |
| Ambient air temperature for operation | 32...131 °F (0...55 °C) by default) EN/IEC 60068-2-2 32...122 °F (0...50 °C) flat mounting 32...113 °F (0...45 °C)PCI/PCle HMIDM modular display with HDD 32...104 °F (0...40 °C) flat mountingHDD 32...104 °F (0...40 °C) flat mountingmini PCIe 32...104 °F (0...40 °C) flat mountingPCI/PCle 32...113 °F (0...45 °C) 2mini PCIe HMIDM modular display |
| Operating altitude | 6561.68 ft (2000 m) IEC 60664-1 |
| Vibration resistance | 2 gn 5...500 Hz) SSD or CFast 1 gn 5...500 Hz) HDD |

Ordering and shipping details

| | |
|-----------------------|----------------------|
| Category | 22575-MAGELIS MC3 |
| Discount Schedule | MC3 |
| GTIN | 3606480853470 |
| Nbr. of units in pkg. | 1 |
| Package weight(Lbs) | 6.83 lb(US) (3.1 kg) |
| Returnability | No |
| Country of origin | US |

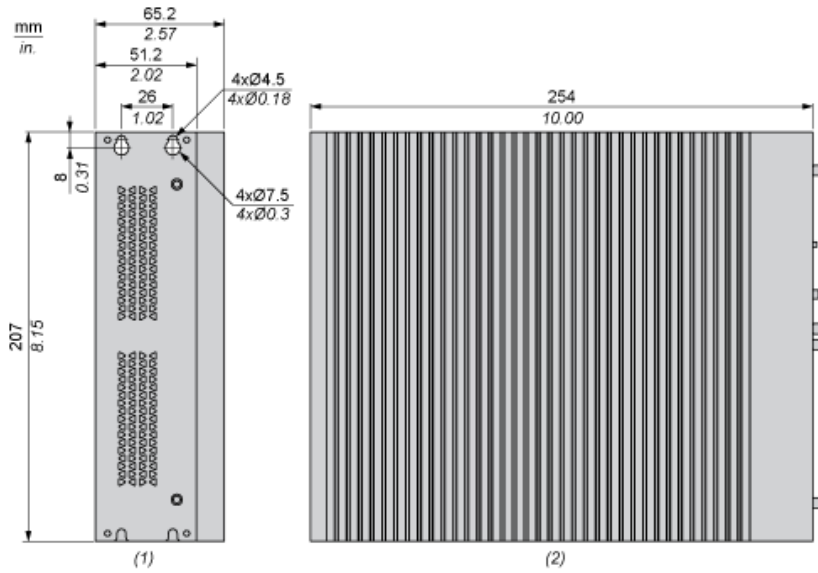
Packing Units

| | |
|------------------------------|-----------------------|
| Unit Type of Package 1 | PCE |
| Package 1 Height | 2.56 in (6.5 cm) |
| Package 1 width | 8.15 in (20.7 cm) |
| Package 1 Length | 10.00 in (25.4 cm) |
| Unit Type of Package 2 | CAR |
| Number of Units in Package 2 | 1 |
| Package 2 Weight | 11.24 lb(US) (5.1 kg) |
| Package 2 Height | 17.72 in (45 cm) |
| Package 2 width | 9.65 in (24.5 cm) |
| Package 2 Length | 16.93 in (43 cm) |

Offer Sustainability

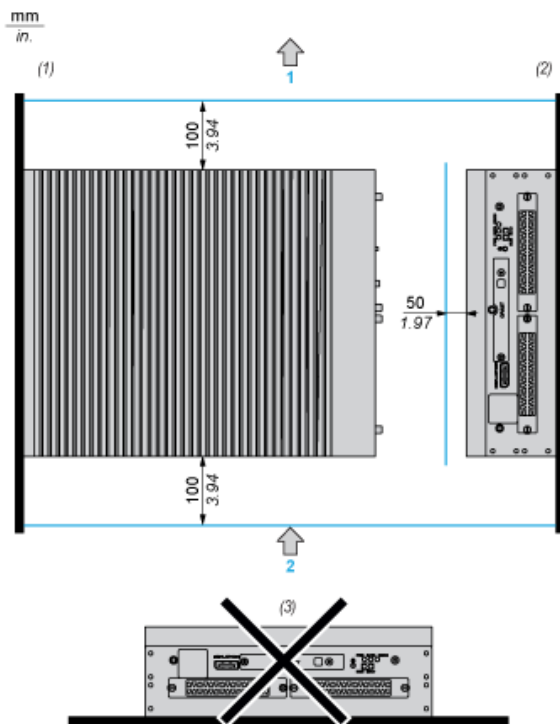
| | |
|----------------------------|---|
| California proposition 65 | WARNING: This product can expose you to chemicals including: Lead and lead compounds, which is known to the State of California to cause cancer and birth defects or other reproductive harm. For more information go to www.P65Warnings.ca.gov |
| REACH Regulation | REACH Declaration |
| REACH free of SVHC | Yes |
| EU RoHS Directive | Pro-active compliance (Product out of EU RoHS legal scope) EU RoHS Declaration |
| Mercury free | Yes |
| RoHS exemption information | Yes |
| China RoHS Regulation | China RoHS Declaration |
| WEEE | The product must be disposed on European Union markets following specific waste collection and never end up in rubbish bins. |

Dimensions



- (1) Rear view
- (2) Left view

Spacing Requirements



- 1 : Air out
- 2 : Air in
- (1) Book mounting : Vertical mounting with rear fixing
- (2) Wall mounting : Vertical mounting with side fixing
- (3) Horizontal mounting