

Product data sheet

Specifications

SQUARE D



Switch, manual, 30A, 2 pole, 3 HP at 575 VAC, single phase, toggle operated, no indicator, open style

2510KO1

Product availability: Stock - Normally stocked in distribution facility

Main

Product	Single Unit Manual Switch
Type	K

Complementary

Current Rating	30 A
Horsepower Rating	2 hp 115 V AC 2 hp 230 V AC 3 hp 460 V AC 3 hp 575 V AC 1 hp 90 V DC 2 hp 115 V DC 1.5 hp 230 V DC
Maximum Voltage Rating	600 V AC 230 V DC
Number of Poles	2P
Control Unit Type	Toggle
Number of Phases	1 phase
Pilot Light	No indicator
Starter Type	Non reversing
Electrical Connection	Screw clamp terminals
Wire Gauge	AWG 14...AWG 10 copper
Height	4.13 in (104.90 mm)
Width	1.69 in (42.93 mm)
Depth	2.34 in (59.44 mm)
Net Weight	0.35 lb(US) (0.16 kg)

Environment

Certifications	UL recognized E42243 CCN NLRV2 CSA LR25490 class 3211 05
NEMA Enclosure Rating	Not rated (open device)

Ordering and shipping details

Category	US10CP121102
Discount Schedule	0CP1
GTIN	785901554554
Returnability	Yes

Price is "List Price" and may be subject to a trade discount – check with your local distributor or retailer for actual price.

Country of origin	MX
-------------------	----

Packing Units

Unit Type of Package 1	PCE
------------------------	-----

Nbr. of units in pkg.	1
-----------------------	---

Package 1 Height	1.90 in (4.826 cm)
------------------	--------------------

Package 1 Width	3.00 in (7.620 cm)
-----------------	--------------------

Package 1 Length	4.70 in (11.938 cm)
------------------	---------------------

Package weight(Lbs)	5.600 oz (158.757 g)
---------------------	----------------------

Unit Type of Package 2	CAR
------------------------	-----

Number of Units in Package 2	72
------------------------------	----

Package 2 Height	12.60 in (32.004 cm)
------------------	----------------------

Package 2 Width	12.60 in (32.004 cm)
-----------------	----------------------

Package 2 Length	15.00 in (38.100 cm)
------------------	----------------------

Package 2 Weight	31.680 lb(US) (14.370 kg)
------------------	---------------------------

Unit Type of Package 3	PAL
------------------------	-----

Number of Units in Package 3	1152
------------------------------	------

Package 3 Height	40.00 in (101.600 cm)
------------------	-----------------------

Package 3 Width	40.00 in (101.600 cm)
-----------------	-----------------------

Package 3 Length	48.00 in (121.920 cm)
------------------	-----------------------

Package 3 Weight	507.000 lb(US) (229.971 kg)
------------------	-----------------------------

Contractual warranty

Warranty	18 months
----------	-----------


Environmental Data

Schneider Electric aims to achieve Net Zero status by 2050 through supply chain partnerships, lower impact materials, and circularity via our ongoing “Use Better, Use Longer, Use Again” campaign to extend product lifetimes and recyclability.



[Environmental Data explained >](#)

[How we assess product sustainability >](#)

Use Better

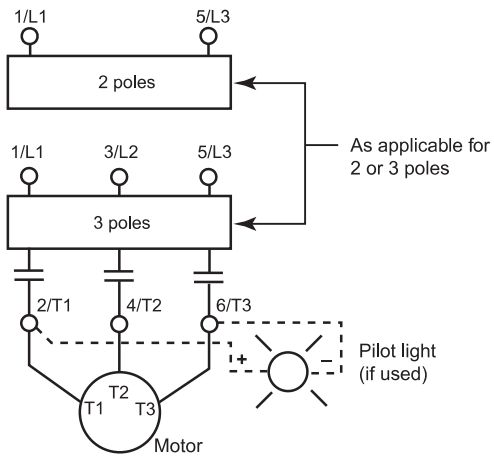
 Materials and Substances	
Packaging made with recycled cardboard	No
Packaging without single use plastic	No
EU RoHS Directive	Not compliant
California proposition 65	WARNING: This product can expose you to chemicals including: Lead and lead compounds, which is known to the State of California to cause cancer and birth defects or other reproductive harm. For more information go to www.P65Warnings.ca.gov
PVC free	Yes

Use Again

 Repack and remanufacture	
Take-back	No
WEEE Label	 The product must be disposed on European Union markets following specific waste collection and never end up in rubbish bins.

Technical Illustration

Wiring diagram



NOTE: The lamp is polarity sensitive in DC applications.