



## Main

Product Type	Power relay
Switch Function	SPST
Contact Composition	1 NO

## Complementary

Input Current	10 A
Contacts Material	Silver alloy contacts
Minimum Switching Current	100 mA
Coil Resistance	720 Ohm
Input voltage	12 V DC
Drop-out Voltage Threshold	$\geq 0.1 U_c$ DC
Rated Operational Current	10 A at 240 V AC 10 A at 30 V DC
Power consumption in W	0.2 W DC
Voltage Range	0.8...1.1 $U_n$ DC
Motor Power HP	0.17 hp 120 V AC
Connections Terminals	Pins for printed circuit board
Protective Treatment	Epoxy sealed
Electrical Insulation Class	Class E
Mounting	Printed circuit boards
Height	0.39 in (10 mm)
Width	0.50 in (12.7 mm)
Depth	0.81 in (20.49 mm)
Product Weight	0.19 oz (5.5 g)
Operating Time	10 ms

## Environment

Ambient Air Temperature for Operation	-40...158 °F (-40...70 °C)
Ambient Air Temperature for Storage	-40...185 °F (-40...85 °C)
Product Certifications	UL
Electrical Durability	100000 cycles
Mechanical Durability	5000000 cycles
Dielectric Strength	2000 V AC between coil and contact 1000 V AC between contacts
Shock Resistance	20 gn in operation
Vibration Resistance	1.5 gn 10...55 Hz)in operation

## Ordering and shipping details

GTIN	3606480276163
Nbr. of units in pkg.	1
Package weight(Lbs)	0.19 oz (5.5 g)

## Packing Units

Unit Type of Package 1	PCE
Package 1 Height	0.81 in (2.049 cm)
Package 1 width	0.50 in (1.27 cm)
Package 1 Length	0.53 in (1.35 cm)
Unit Type of Package 2	CAR
Number of Units in Package 2	1000
Package 2 Weight	12.68 lb(US) (5.75 kg)
Package 2 Height	3.94 in (10 cm)
Package 2 width	6.30 in (16 cm)
Package 2 Length	17.72 in (45 cm)
Unit Type of Package 3	BB1
Number of Units in Package 3	20
Package 3 Weight	3.88 oz (110.0 g)
Package 3 Height	0.81 in (2.049 cm)
Package 3 width	0.50 in (1.27 cm)
Package 3 Length	0.53 in (1.35 cm)

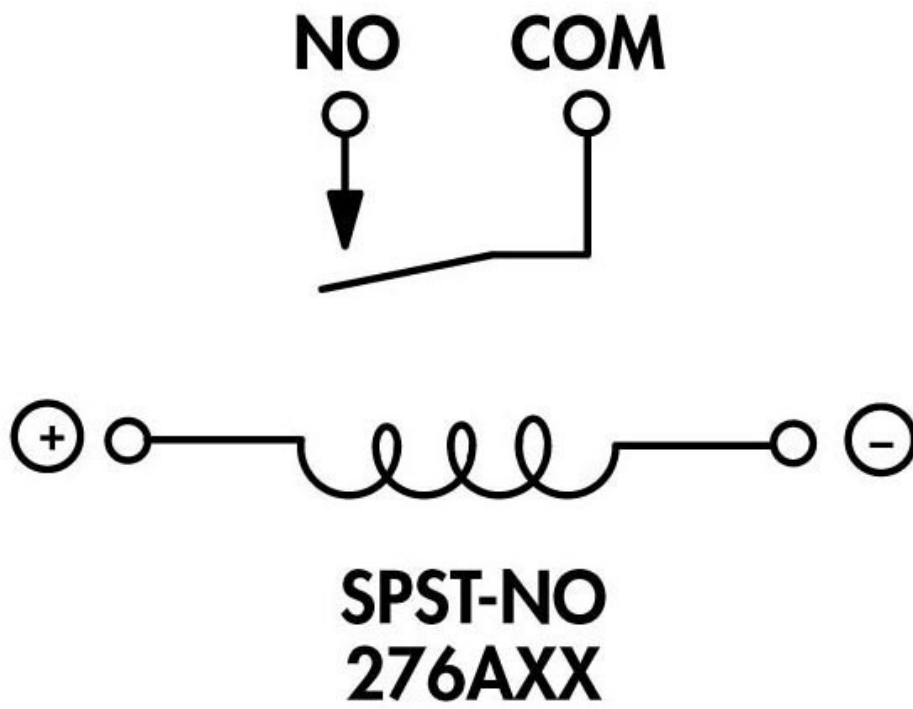
## Offer Sustainability

California proposition 65	WARNING: This product can expose you to chemicals including: Nickel compounds, which is known to the State of California to cause cancer, and Di-isodecyl phthalate (DIDP), which is known to the State of California to cause birth defects or other reproductive harm. For more information go to <a href="http://www.P65Warnings.ca.gov">www.P65Warnings.ca.gov</a>
REACH Regulation	<a href="#">REACH Declaration</a>
REACH free of SVHC	Yes
EU RoHS Directive	Pro-active compliance (Product out of EU RoHS legal scope) <a href="#">EU RoHS Declaration</a>
Toxic heavy metal free	Yes
Mercury free	Yes
RoHS exemption information	<a href="#">Yes</a>
China RoHS Regulation	<a href="#">China RoHS Declaration</a>
WEEE	The product must be disposed on European Union markets following specific waste collection and never end up in rubbish bins.

---

Connections and Wiring Diagrams

---



---

Connections and Wiring Diagrams

---

