

Product data sheet

Specifications



Socket, General Purpose Relays, for 750H/750 relays, DPDT, 8 pins, screws clamp terminals, 16A, 300V

70-750DL8-1

Product availability: Stock - Normally stocked in distribution facility

Main

Product Range	Legacy
Product Type	Socket
Product Compatibility	relay 750XCXR relay 750XCXH suppressor module 70-ASMM diode 70-ASMD signalling device 70-ASMLG suppressor module 70-ASMR jumper wire 16-750CJB-1
Number of Terminals	8
Switch Function	DPDT
Contact Composition	2 NO + 2 NC

Complementary

Rated Current	16 A
[Ue] rated operational voltage	300 V
Contact Terminal Arrangement	Mixed
Connections Terminals	screw clamp terminals solid for output screw clamp terminals stranded for output
Tightening Torque	Chassis 0.8 N.m, AWG 14...AWG 12, copper Screw 1 N.m
Fixing Mode	By screw M3.5, M3.5 panel Clip-on 35 mm DIN rail
Shape of Screw Head	Combination roundhead
Product Weight	2.1 oz (60 g)
Width	1.4 in (36 mm)
Depth	2.9 in (72.7 mm)

Environment

Ambient Air Temperature for Storage	-40...221 °F (-40...105 °C)
Ambient Air Temperature for Operation	-40...131 °F (-40...55 °C)
IP Degree of Protection	IP20
Flame Retardance	UL94-V0
Product Certifications	UL CSA CE

Price is "List Price" and may be subject to a trade discount – check with your local distributor or retailer for actual price.

Ordering and shipping details

Category	US10CP221127
Discount Schedule	0CP2
GTIN	3606480278006
Returnability	Yes
Country of origin	TW

Packing Units

Unit Type of Package 1	PCE
Nbr. of units in pkg.	1
Package 1 Height	3.05 in (7.75 cm)
Package 1 Width	1.42 in (3.6 cm)
Package 1 Length	1.42 in (3.6 cm)
Package weight(Lbs)	2.1 oz (60.0 g)
Unit Type of Package 2	CAR
Number of Units in Package 2	10
Package 2 Height	3.27 in (8.3 cm)
Package 2 Width	2.91 in (7.4 cm)
Package 2 Length	7.64 in (19.4 cm)
Package 2 Weight	26.1 oz (740.5 g)
Unit Type of Package 3	BB1
Number of Units in Package 3	100
Package 3 Height	16.22 in (41.2 cm)
Package 3 Width	9.06 in (23.0 cm)
Package 3 Length	16.10 in (40.9 cm)
Package 3 Weight	33.07 lb(US) (15.0 kg)



Environmental Data

Schneider Electric aims to achieve Net Zero status by 2050 through supply chain partnerships, lower impact materials, and circularity via our ongoing “Use Better, Use Longer, Use Again” campaign to extend product lifetimes and recyclability.

[Environmental Data explained >](#)

[How we assess product sustainability >](#)

Environmental footprint

Carbon footprint (kg CO2 eq, Total Life cycle)	1
--	---

Use Better

Materials and Substances

Packaging made with recycled cardboard	Yes
--	-----

Packaging without single use plastic	Yes
--------------------------------------	-----

EU RoHS Directive	Pro-active compliance (Product out of EU RoHS legal scope)
-----------------------------------	--

REACH Regulation	REACH Declaration
------------------	-----------------------------------

California proposition 65	WARNING: This product can expose you to chemicals including: Nickel compounds, which is known to the State of California to cause cancer, and Di-isodecyl phthalate (DIDP), which is known to the State of California to cause birth defects or other reproductive harm. For more information go to www.P65Warnings.ca.gov
---------------------------	---

Use Again

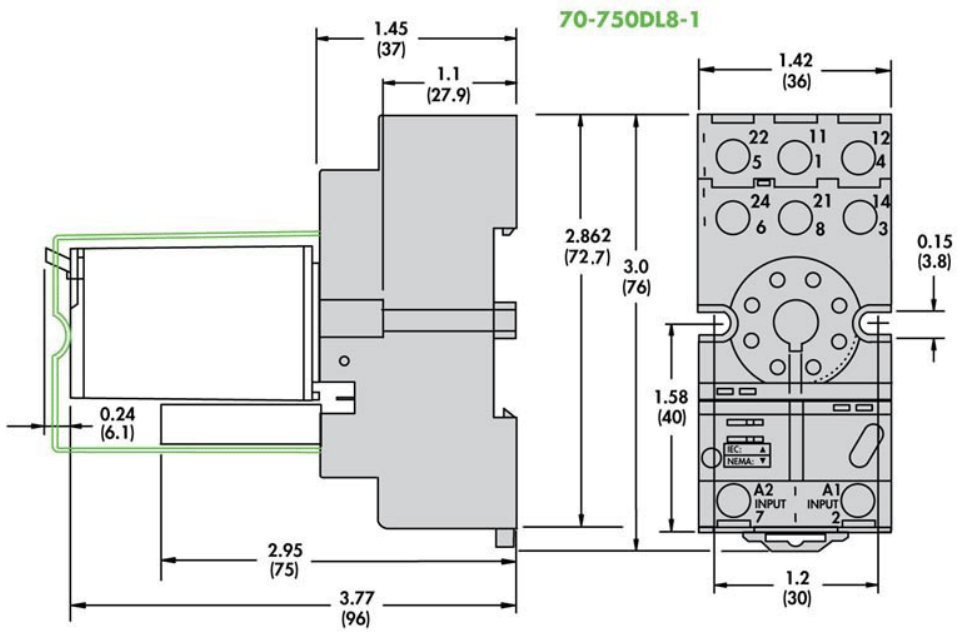
Repack and remanufacture

Circularity Profile	No need of specific recycling operations
---------------------	--

Take-back	No
-----------	----

Dimensions Drawings

Approximate Dimensions



Connections and Schema

Connections and Wiring Diagrams

