

Product data sheet

Specifications



Rotating beacon, Harmony XVR, 130mm, red, without buzzer, 230V AC

XVR13M04L

Product availability: Non-Stock - Not normally stocked in distribution facility

Main

Range of Product	Harmony XVR
Product or Component Type	Prewired rotating mirror beacon
Sound signalling	Without
Device short name	XVR
Mounting diameter	5.1 in (130 mm)
IP degree of protection	IP66 IEC 60529 IP67 IEC 60529
[Us] rated supply voltage	230 V AC
Light source	High luminosity LED, red

Complementary

Material	ABS (acrylonitrile butadiene-styrene): body part PC: globe
CAD overall width	5.1 in (130 mm)
CAD overall depth	5.1 in (130 mm)
Net Weight	2.18 lb(US) (0.99 kg)
Marking	CE
Product mounting	By 3 M6 screws
[Uimp] rated impulse withstand voltage	4 kV
Current Consumption	22 mA
Flashing frequency	2.7 Hz
Clamping Connection Capacity	1.25 mm ²
AWG Gauge	AWG 18
Cable length	15.7 in (400 mm)

Environment

Standards	IEC 60947-5-1 IEC 60947-1
Protective treatment	TC
Ambient Air Temperature for Storage	-31...158 °F (-35...70 °C)
Ambient Air Temperature for Operation	-22...122 °F (-30...50 °C)
Electrical shock protection class	Class II IEC 61140

Price is "List Price" and may be subject to a trade discount – check with your local distributor or retailer for actual price.

Ordering and shipping details

Category	US100XV22617
Discount Schedule	00XV
GTIN	3389119045322
Returnability	Yes
Country of origin	ID

Packing Units

Unit Type of Package 1	PCE
Nbr. of units in pkg.	1
Package 1 Height	10.83 in (27.500 cm)
Package 1 Width	7.48 in (19.000 cm)
Package 1 Length	7.48 in (19.000 cm)
Package weight(Lbs)	2.945 lb(US) (1.336 kg)
Unit Type of Package 2	S04
Number of Units in Package 2	6
Package 2 Height	11.81 in (30.000 cm)
Package 2 Width	15.75 in (40.000 cm)
Package 2 Length	23.62 in (60.000 cm)
Package 2 Weight	20.613 lb(US) (9.350 kg)
Unit Type of Package 3	P06
Number of Units in Package 3	24
Package 3 Height	29.53 in (75.000 cm)
Package 3 Width	23.62 in (60.000 cm)
Package 3 Length	31.50 in (80.000 cm)
Package 3 Weight	100.469 lb(US) (45.572 kg)

Contractual warranty

Warranty	18 months
----------	-----------

Environmental Data

Schneider Electric aims to achieve Net Zero status by 2050 through supply chain partnerships, lower impact materials, and circularity via our ongoing “Use Better, Use Longer, Use Again” campaign to extend product lifetimes and recyclability.

[Environmental Data explained >](#)

[How we assess product sustainability >](#)

Environmental footprint

Carbon footprint (kg CO2 eq, Total Life cycle)	24
--	----

Use Better

Materials and Substances

Packaging made with recycled cardboard	Yes
--	-----

Packaging without single use plastic	No
--------------------------------------	----

[EU RoHS Directive](#)

Pro-active compliance (Product out of EU RoHS legal scope)

California proposition 65

WARNING: This product can expose you to chemicals including: Lead and lead compounds, which is known to the State of California to cause cancer and birth defects or other reproductive harm. For more information go to www.P65Warnings.ca.gov

Use Again

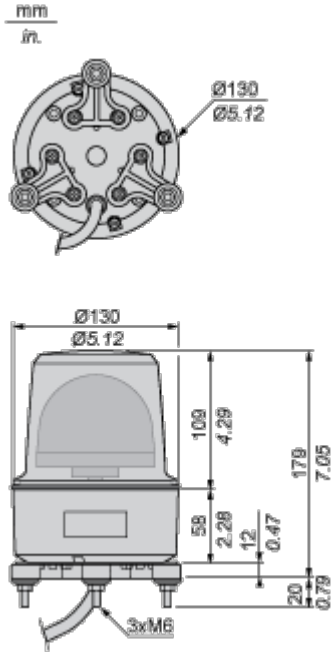
Repack and remanufacture

Take-back	No
-----------	----

Dimensions Drawings

Rotating Mirror Beacon

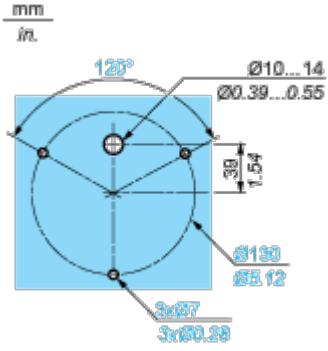
Dimensions



Mounting and Clearance

Rotating Mirror Beacon

Panel Cut-out



Technical Illustration

Dimensions

