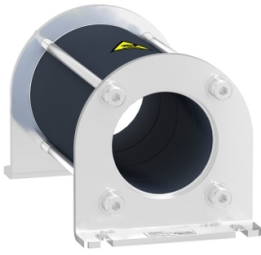


# Product data sheet

Specifications



## common mode filter for bearing current reduction - 146.4 $\hat{\mu}$ H

VW3A5501

### Main

<b>Product or component type</b>	Common mode output filter
<b>Range compatibility</b>	Altivar Process ATV900 Altivar Process ATV600
<b>Value of inductance</b>	146.4 $\mu$ H
<b>Product compatibility</b>	Variable speed drive ATV630 wall mount, 0.75...11 kW, 380...480 V Variable speed drive ATV650 wall mount, 0.75...11 kW, 380...480 V Variable speed drive ATV930 wall mount, 0.75...11 kW, 380...480 V Variable speed drive ATV950 wall mount, 0.75...11 kW, 380...480 V Variable speed drive ATV630 wall mount, 0.75...5.5 kW, 200...240 V Variable speed drive ATV930 wall mount, 0.75...5.5 kW, 200...240 V

### Complementary

<b>Maximum motor cable length</b>	150 m(unshielded cable) motor: 0.75...11 kW 380...480 V, with 1 filter 150 m(shielded cable) motor: 0.75...4 kW 380...480 V, with 1 filter 300 m(shielded cable) motor: 5.5...11 kW 380...480 V, with 2 filter 500 m(unshielded cable) motor: 0.75...4 kW 380...480 V, with 2 filter 500 m(unshielded cable) motor: 5.5...11 kW 380...480 V, with 1 filter + VW3A5502 500 m(shielded cable) motor: 0.75...4 kW 380...480 V, with 2 filter 1000 m(unshielded cable) motor: 0.75...5.5 kW 380...480 V, with 1 filter + VW3A5502 150 m(unshielded cable) motor: 0.75...5.5 kW 200...240 V, with 1 filter 150 m(shielded cable) motor: 0.75...4 kW 200...240 V, with 1 filter 300 m(shielded cable) motor: 5.5 kW 200...240 V, with 2 filter 500 m(unshielded cable) motor: 0.75...4 kW 200...240 V, with 2 filter 500 m(unshielded cable) motor: 5.5 kW 200...240 V, with 1 filter + VW3A5502 500 m(shielded cable) motor: 0.75...4 kW 200...240 V, with 2 filter 1000 m(unshielded cable) motor: 0.75...4 kW 200...240 V, with 1 filter + VW3A5502
<b>Saturation current</b>	1.1 A
<b>internal diameter</b>	37.1 mm for 3-phase cable inside 37.1 mm for PE cable outside
<b>Electrical insulation class</b>	Class I
<b>Mechanical robustness</b>	Shocks class 3M4 conforming to IEC 60721-3-3 Vibrations class 3M4 conforming to IEC 60721-3-3
<b>Switching frequency</b>	$\leq$ 10 kHz
<b>Maximum output frequency</b>	100 Hz
<b>Height</b>	119.2 mm
<b>Width</b>	66 mm
<b>Depth</b>	66 mm
<b>Product weight</b>	0.44 kg

### Environment

<b>Relative humidity</b>	5...95 % without condensation
--------------------------	-------------------------------

---

Ambient air temperature for operation	-15...60 °C
---------------------------------------	-------------

---

Ambient air temperature for storage	-40...70 °C
-------------------------------------	-------------

---

## Packing Units

---

Unit Type of Package 1	PCE
------------------------	-----

---

Number of Units in Package 1	1
------------------------------	---

---

Package 1 Height	10.000 cm
------------------	-----------

---

Package 1 Width	22.000 cm
-----------------	-----------

---

Package 1 Length	11.500 cm
------------------	-----------

---

Package 1 Weight	648.000 g
------------------	-----------

---

Unit Type of Package 2	P06
------------------------	-----

---

Number of Units in Package 2	75
------------------------------	----

---

Package 2 Height	75.000 cm
------------------	-----------

---

Package 2 Width	60.000 cm
-----------------	-----------

---

Package 2 Length	80.000 cm
------------------	-----------

---

Package 2 Weight	59.656 kg
------------------	-----------

---


## Environmental Data

Schneider Electric aims to achieve Net Zero status by 2050 through supply chain partnerships, lower impact materials, and circularity via our ongoing "Use Better, Use Longer, Use Again" campaign to extend product lifetimes and recyclability.

[Environmental Data explained >](#)

[How we assess product sustainability >](#)

### Use Better

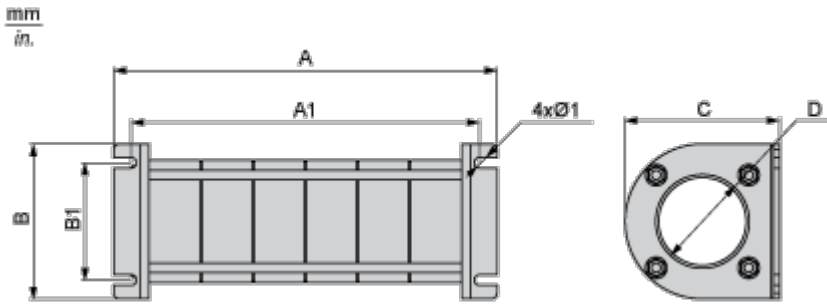
 <b>Materials and Substances</b>	
Packaging made with recycled cardboard	No
Packaging without single use plastic	No
<a href="#">EU RoHS Directive</a>	Pro-active compliance (Product out of EU RoHS legal scope)
California proposition 65	<b>WARNING:</b> This product can expose you to chemicals including: Lead and lead compounds, which is known to the State of California to cause cancer and birth defects or other reproductive harm. For more information go to <a href="http://www.P65Warnings.ca.gov">www.P65Warnings.ca.gov</a>

### Use Again

 <b>Repack and remanufacture</b>	
Take-back	No

Dimensions Drawings

Dimensions



Dimensions in mm

A	B	A1	B1	Ø1	C	D
119.2	66	104.2	50	4.5	66	37.1

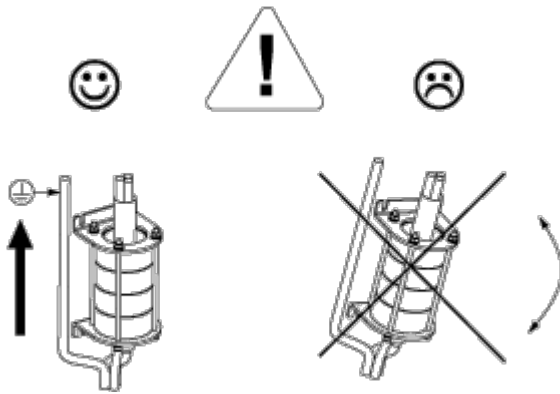
Dimensions in in.

A	B	A1	B1	Ø1	C	D
4.7	2.6	4.1	2.0	0.18	2.6	1.5

Mounting and Clearance

Mounting Recommendations

---

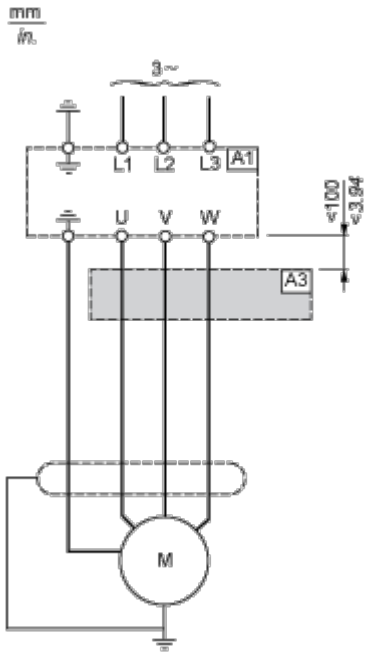


Connections and Schema

Recommended Schema

---

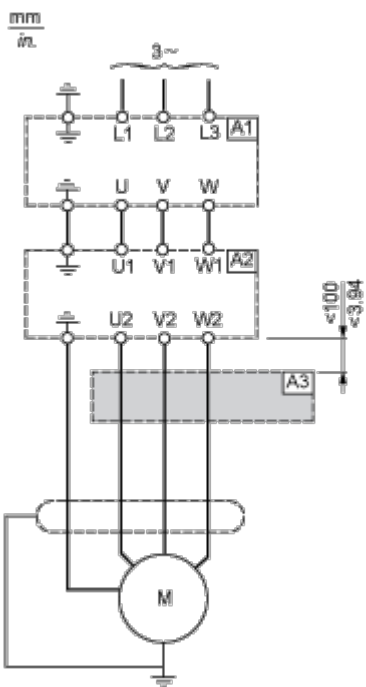
Connection at the Output Terminals of the Drive



A1 : Drive

A3 : Common mode filter

Connection at the Output Terminals of the dv/dt Filter or Sinus Filter



A1 : Drive

A2 : dv/dt or sinus filter

A3 : Common mode filter