

GNSS L1/L2/L5/L6 SMD SAW DIPLEXER



AFII-SW-0095-Q

Request Samples



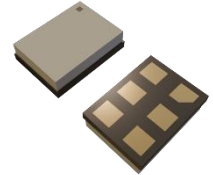
Check Inventory



1.5 x 1.1 x 0.38 mm
RoHS Compliant
MSL Level = 1

Description

This AEC-Q200 compliant SAW diplexer delivers comprehensive multi-band GNSS coverage for next-generation positioning systems. Supporting L1 alongside combined L2/L5/L6 bands in an ultra-compact 1.5 x 1.1 x 0.38 mm package. Supporting L1 alongside L2/L5/L6 bands with low insertion loss of 1.3 dB (L1) and 1.7 dB (L2/L5/L6), it delivers excellent band separation with 29 dB typical out-of-band rejection. Rated for high-power +25 dBm operation across -40 to +105 °C, this RoHS-compliant MSL Level 1 component enables centimeter-level accuracy for automotive telematics, RTK systems, autonomous vehicles, and precision agriculture where robust multi-frequency performance in harsh environments is essential.



Features

- AEC-Q200 GNSS L1/L2/L5/L6 SAW Diplexer
- Compact Size: 1.5 x 1.1 x 0.38 mm
- Insertion Loss: 1.3 dB (L1) / 1.7 dB (L2/L5/L6)
- Out-of-Band Rejection: 29 dB (Typ.)
- Maximum Input Power: +25 dBm
- Extended Temperature -40 to +105 °C
- [RoHS Compliant | MSL Level 1](#)

Applications

- High-Precision GNSS Modules
- RTK Systems
- Automotive Transportation & Telematics
- Asset Tracking / Fleet Management
- UAVs, Robotics & Autonomous Vehicles
- Micro-Mobility Solutions
- Precision Agriculture

Ordering Information

Part Number	Description
AFII-SW-0095-Q	GNSS L1/L2/L5/L6 SMD SAW DIPLEXER on Cut Tape
AFII-SW-0095-Q-T	GNSS L1/L2/L5/L6 SMD SAW DIPLEXER on Tape & Reel
AFII-SW-0095-Q -EVB	GNSS L1/L2/L5/L6 SMD SAW DIPLEXER EVB

Note: Other options not listed may be available upon request via [Abracon online support](#)



12117 Bee Caves Rd, Bldg-3, Suite 200 Bee Cave, TX 78738
Phone: 512-371-6159 | Fax: 512-351-8858
For terms and conditions of sales, please visit: www.abracon.com

REVISED: 01-09-26

ABRACON IS
ISO9001-2015
CERTIFIED

GNSS L1/L2/L5/L6 SMD SAW DIPLEXER



AFII-SW-0095-Q

Request Samples



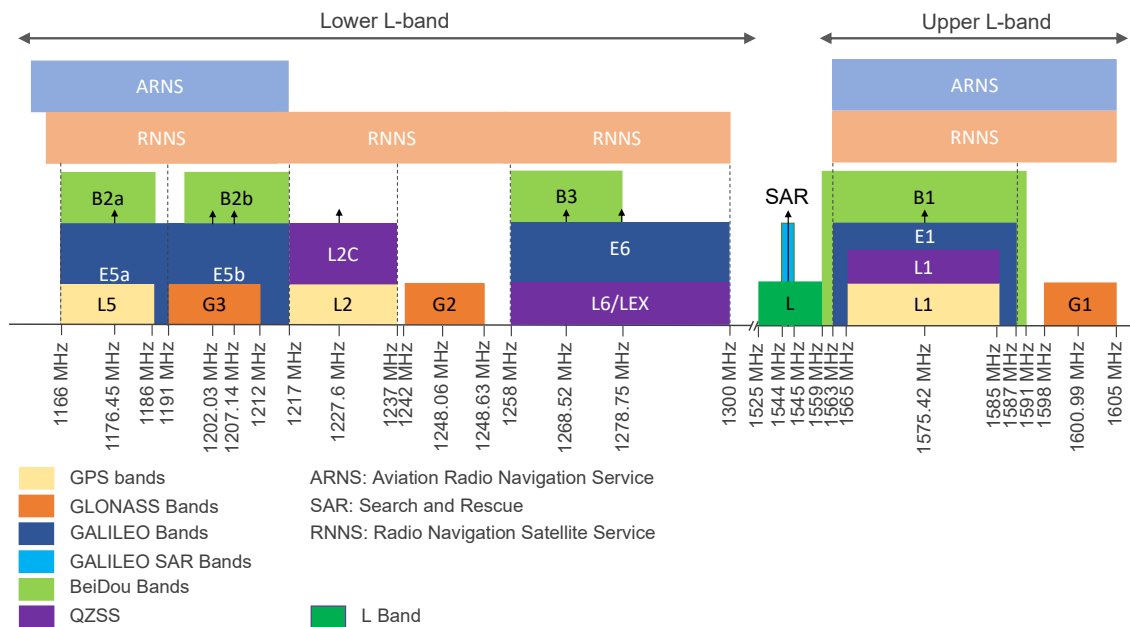
Check Inventory



1.5 x 1.1 x 0.38 mm
RoHS Compliant
MSL Level = 1

GNSS Frequency Bands Covered

System	Band	Frequency Range
GPS	L1	1575.42MHz
	L2	1227.6MHz
GLONASS	G1	1598.06-1609.31MHz
	G2	1242.93-1251.68MHz
	G3	1202.025MHz
Galileo	E1	1575.42MHz
	E5a	1176.45MHz
	E5b	1201.5MHz
	E6	1278.75MHz
BeiDou	B1	1561MHz
	B2	1207.14MHz
	B3	1268.52MHz
QZSS	L1	1575.42MHz
	L2	1227.6MHz
	L5	1176.45MHz
	L6	1278.75MHz
IRNSS/NAVIC	L5	1176.45MHz
	L6	1278.75MHz
SBAS	L1/E1/B1	1575.42MHz
	L5/B2a/E5a	1176.45MHz



Frequency allocation: GNSS systems, upper L bands and lower L bands



12117 Bee Caves Rd, Bldg-3, Suite 200 Bee Cave, TX 78738
Phone: 512-371-6159 | Fax: 512-351-8858
For terms and conditions of sales, please visit: www.abracon.com

REVISED: 01-09-26

ABRACON IS
ISO9001-2015
CERTIFIED

GNSS L1/L2/L5/L6 SMD SAW DIPLEXER



AFII-SW-0095-Q

Request Samples



Check Inventory



1.5 x 1.1 x 0.38 mm
RoHS Compliant
MSL Level = 1

Electrical Specification

Parameters	Minimum	Typical	Maximum	Units	Notes
Frequency	1525		1610.485	MHz	GNSS L1/G1/B1/L
VSWR	-	1.7	2.0		1525 ~ 1610.485 MHz
Insertion Loss ⁽¹⁾ (L)	-	1.7	2.0	dB	1525 ~ 1559 MHz
Insertion Loss ⁽¹⁾ (B1)	-	1.3	1.9		1559.052 ~ 1563.144 MHz
Insertion Loss ⁽¹⁾ (L1)	-	1.3	1.8		1565.19 ~ 1585.65 MHz
Insertion Loss ⁽¹⁾ (G1)	-	1.4	2.0		1592.953 ~ 1610.485 MHz
Amplitude Ripple ⁽¹⁾	-	0.5	2.0		1525 ~ 1610.485 MHz
Group Delay Ripple ⁽¹⁾ (L)	-	6.4	16	ns	1525 ~ 1559 MHz
Group Delay Ripple ⁽¹⁾ (B1)	-	1.2	7		1559.052 ~ 1563.144MHz
Group Delay Ripple ⁽¹⁾ (L1)	-	4.6	7		1565.19 ~ 1585.65MHz
Group Delay Ripple ⁽¹⁾ (G1)	-	6	10		1592.953 ~ 1610.485MHz
Attenuation (Reference level from 0 dB)	30	45	-	dB	100 ~ 885 MHz
	28	31	-		885 ~ 1100 MHz
	28	30	-		1100 ~ 1125 MHz
	27	29	-		1164.45 ~ 1299 MHz
	26.5	27	-		1325 ~ 1462.9 MHz
	15	23	-		1660 ~ 1680 MHz
	19	25	-		1680 ~ 2400 MHz
	23	25	-		2400 ~ 2700 MHz
	23	25	-		2700 ~ 3300 MHz
	21	23	-		3300 ~ 4200 MHz
	20	22	-		4200 ~ 5000 MHz
	19	21	-		5000 ~ 5925 MHz
15	20	-	5925 ~ 7125 MHz		
Source Impedance ⁽²⁾ (single ended)	-	50	-	Ω	3.6nH
Load Impedance ⁽²⁾ (single ended)	-	50	-	Ω	GNSS L1:5.6 nH GNSS L2/L5/L6:7.5 nH
RF Power Dissipation	-	25	-	dBm	-

Notes: (1) Averaged values of linear S-Parameters at +25°C

(2) A matching network is necessary (refer to the Measurement Circuits section)

GNSS L1/L2/L5/L6 SMD SAW DIPLEXER



AFII-SW-0095-Q

Request Samples



Check Inventory



1.5 x 1.1 x 0.38 mm
RoHS Compliant
 MSL Level = 1

Parameters	Minimum	Typical	Maximum	Units	Notes
Frequency	1164.45	-	1299	MHz	GNSS L2/B2/L5/E5/L6
VSWR	-	1.9	2.0	:1	1164.45 ~ 1299 MHz
Insertion Loss ⁽¹⁾ (L5)	-	2.3	2.6	dB	1164.45 ~ 1188.45 MHz
Insertion Loss ⁽¹⁾ (B2b/E5b)	-	1.7	2.0		1196.91 ~ 1217.37 MHz
Insertion Loss ⁽¹⁾ (L2)	-	1.7	2.0		1217.37 ~ 1237.83 MHz
Insertion Loss ⁽¹⁾ (L6)	-	2.3	2.6		1237.83 ~ 1299 MHz
Amplitude Ripple	-	0.7	2.0	dB	11164 ~ 1299 MHz
Group Delay Ripple ⁽¹⁾ (L5)	-	17	28	ns	1164.45 ~ 1188.45 MHz
Group Delay Ripple ⁽¹⁾ (B2b/E5b)	-	3	5		1196.91 ~ 1217.37 MHz
Group Delay Ripple ⁽¹⁾ (L2)	-	5	8		1217.37 ~ 1237.83 MHz
Group Delay Ripple ⁽¹⁾ (L6)	-	26	42		1237.83 ~ 1299 MHz
Attenuation (Reference level from 0 dB)	30	44	-	dB	100 ~ 885 MHz
	25	28	-		885 ~ 1100 MHz
	15	27	-		1100 ~ 1125 MHz
	27	29	-		1325 ~ 1462.9 MHz
	27	29	-		1525 ~ 1610.485 MHz
	27	33	-		1660 ~ 1680 MHz
	26	28	-		1680 ~ 2400 MHz
	23	27	-		2400 ~ 2700 MHz
	23	25	-		2700 ~ 3300 MHz
	22	23	-		3300 ~ 4200 MHz
	19	21	-		4200 ~ 5000 MHz
18	20	-	5000 ~ 5925 MHz		
Source Impedance ⁽²⁾ (single ended)	-	50	-	Ω	3.6nH
Load Impedance ⁽²⁾ (single ended)	-	50	-	Ω	GNSS L1:5.6 nH GNSS L2/L5/L6:7.5 nH
RF Power Dissipation	-	25	-	dBm	-

Notes: (1) Averaged values of linear S-Parameters at +25°C

(2) A matching network is necessary (refer to the Measurement Circuits section)

GNSS L1/L2/L5/L6 SMD SAW DIPLEXER



AFII-SW-0095-Q

Request Samples



Check Inventory



1.5 x 1.1 x 0.38 mm
RoHS Compliant
MSL Level = 1

Mechanical Specification

Parameters	Specifications
Filter Dimension	1.5 x 1.1 x 0.38 mm
Mounting Type	Surface Mount
Additional Resources	Download STEP File, Package Drawing, 3D PDF

Environmental Specification

Parameters	Specifications
Operating Temperature Range	-40°C ~ +105°C
Storage Temperature Range	-40°C ~ +105°C
ESD Voltage (HBM)	> 100 V
ESD Voltage (MM)	> 50 V
MSL level	1
RoHS Compliant	Yes

GNSS L1/L2/L5/L6 SMD SAW DIPLEXER



AFII-SW-0095-Q

Request Samples

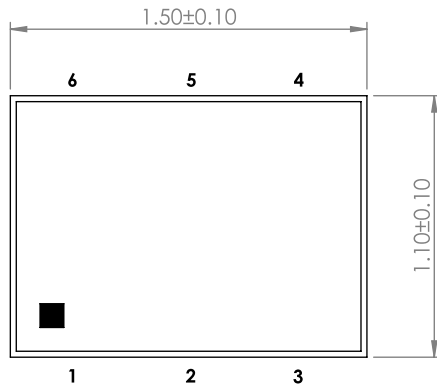


Check Inventory



1.5 x 1.1 x 0.38 mm
RoHS Compliant
 MSL Level = 1

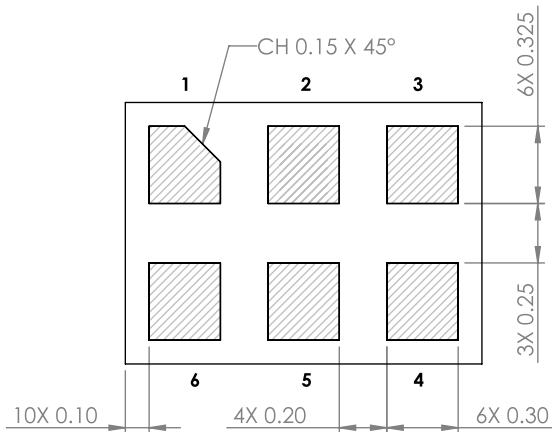
Product Dimensions



TOP VIEW

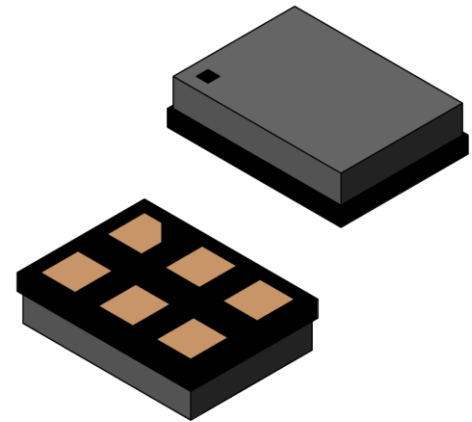
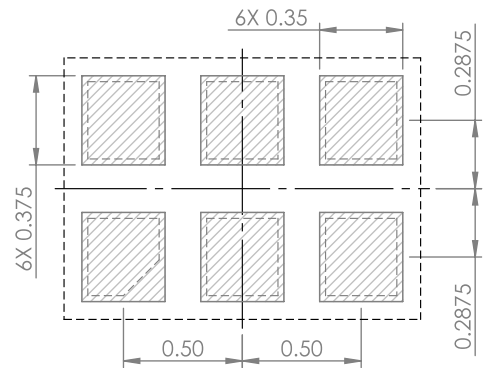


FRONT VIEW



BOTTOM VIEW

RECOMMENDED LAND PATTERN



Unit : mm

Pin No.	Description
2	Common Input
4	L5 Output
6	L1 Output
1, 3, 5	Ground

GNSS L1/L2/L5/L6 SMD SAW DIPLEXER



AFII-SW-0095-Q

Request Samples

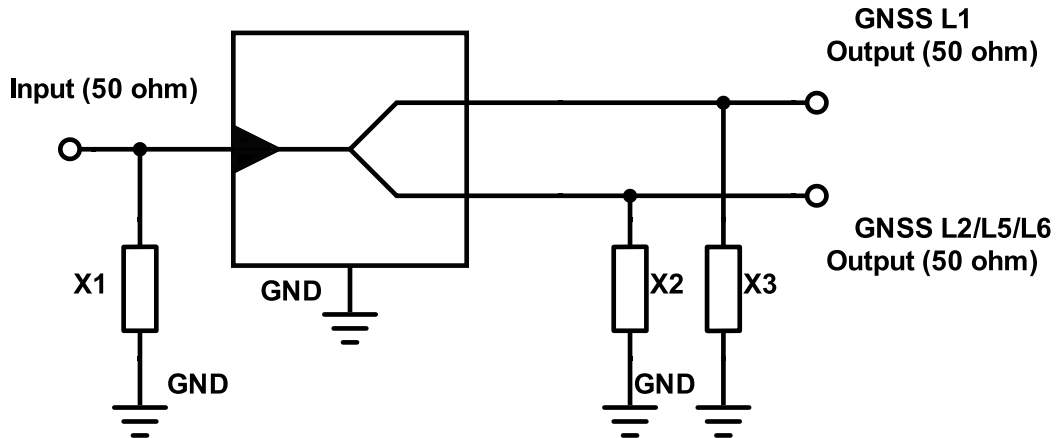


Check Inventory



1.5 x 1.1 x 0.38 mm
RoHS Compliant
 MSL Level = 1

Measurement Circuit



Port	Matching Component
Input (Pin 2)	X1: 3.6 nH
GNSS L1 Output (Pin 6)	X3: 5.6 nH
GNSS L2/L5/L6 Output (Pin 4)	X2: 7.5 nH

GNSS L1/L2/L5/L6 SMD SAW DIPLEXER



AFII-SW-0095-Q

Request Samples



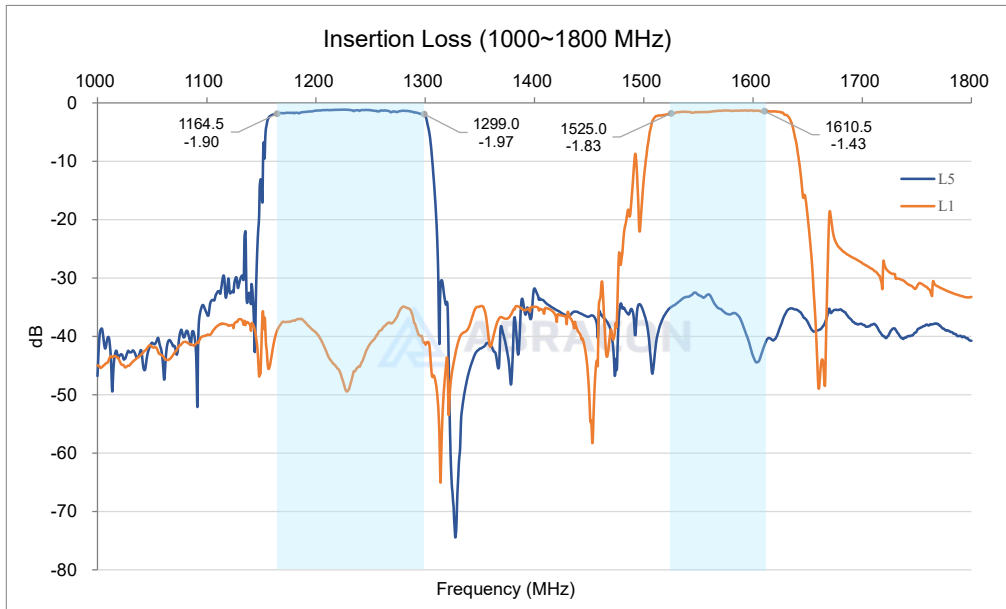
Check Inventory



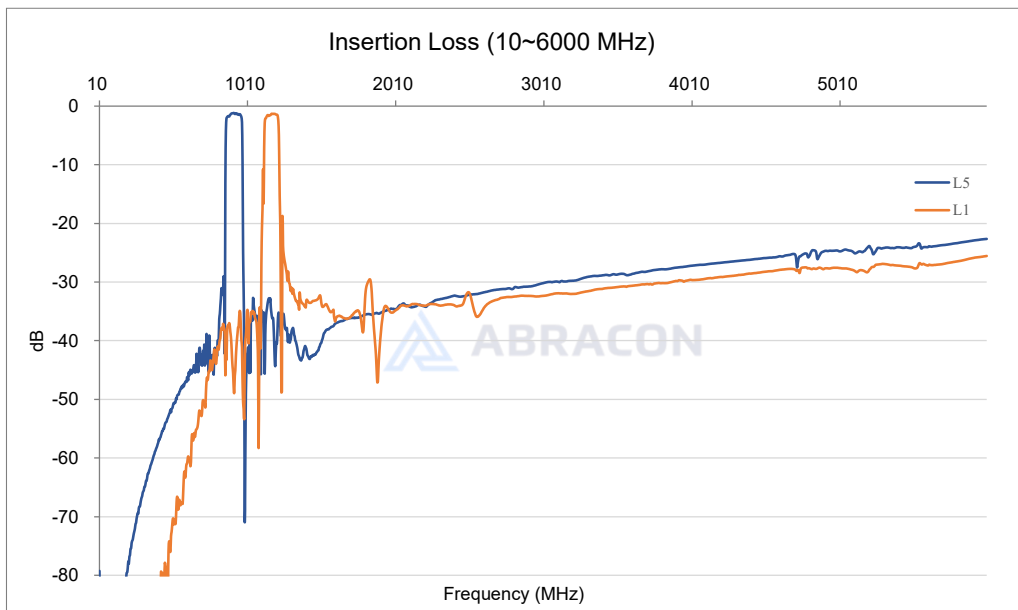
1.5 x 1.1 x 0.38 mm
RoHS Compliant
MSL Level = 1

Frequency Characteristics

Insertion Loss 1000 – 1800 MHz



Insertion Loss 10 - 6000MHz



12117 Bee Caves Rd, Bldg-3, Suite 200 Bee
Cave, TX 78738
Phone: 512-371-6159 | Fax: 512-351-8858
For terms and conditions of sales, please visit:
www.abracon.com

REVISED: 01-09-26

ABRACON IS
ISO9001-2015
CERTIFIED

GNSS L1/L2/L5/L6 SMD SAW DIPLEXER



AFII-SW-0095-Q

Request Samples

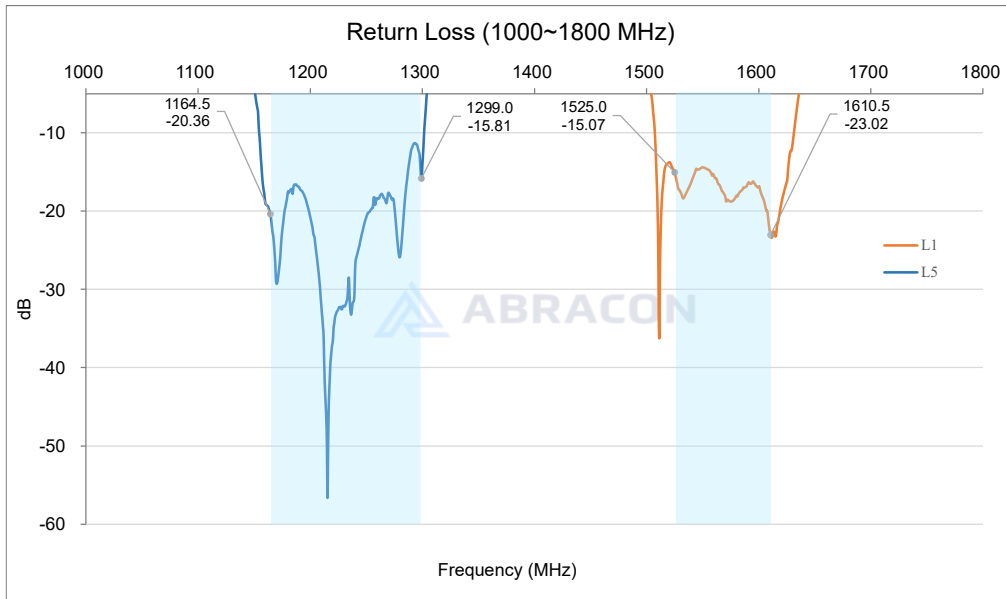


Check Inventory

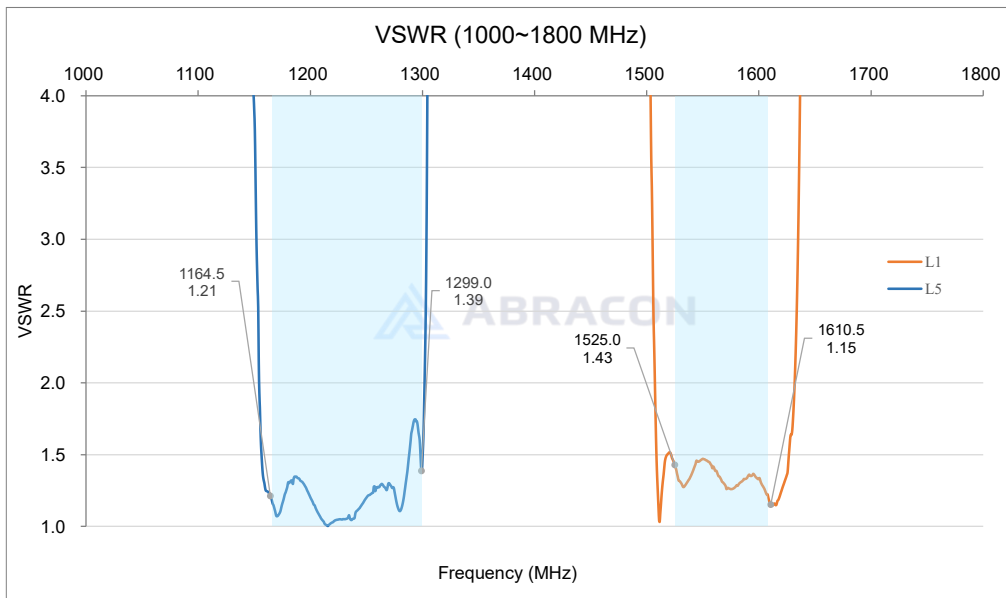


1.5 x 1.1 x 0.38 mm
RoHS Compliant
MSL Level = 1

Return Loss 1000 – 1800 MHz



VSWR 1000 - 1800MHz



12117 Bee Caves Rd, Bldg-3, Suite 200 Bee
Cave, TX 78738
Phone: 512-371-6159 | Fax: 512-351-8858
For terms and conditions of sales, please visit:
www.abracon.com

REVISED: 01-09-26

ABRACON IS
ISO9001-2015
CERTIFIED

GNSS L1/L2/L5/L6 SMD SAW DIPLEXER



AFII-SW-0095-Q

Request Samples

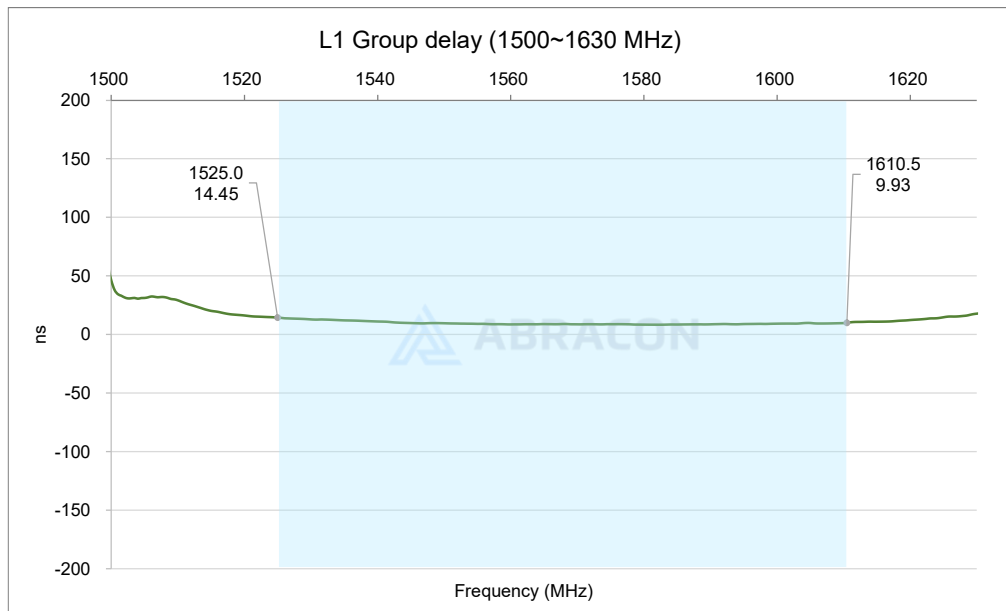


Check Inventory

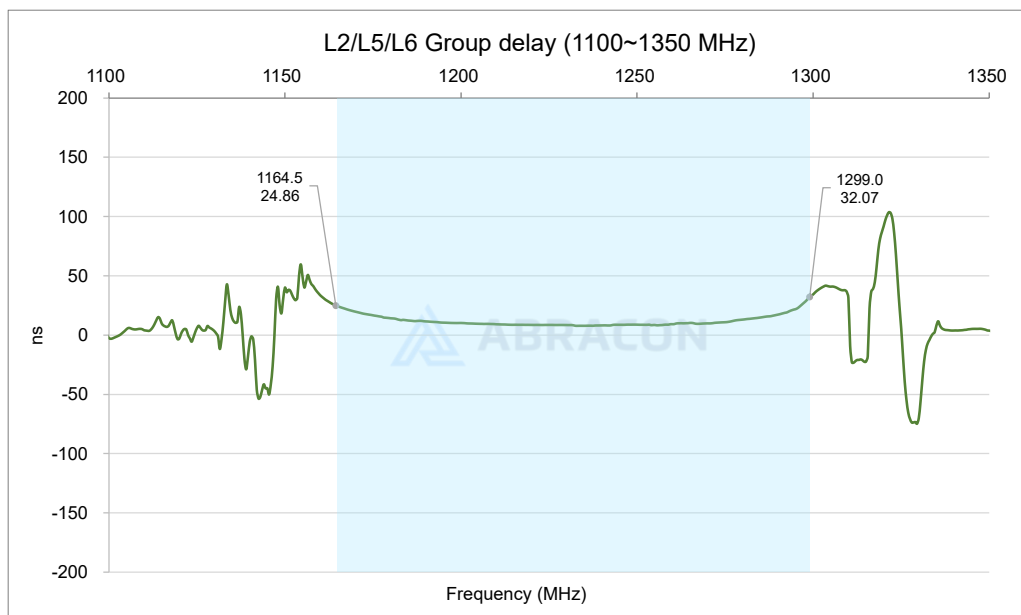


1.5 x 1.1 x 0.38 mm
RoHS Compliant
MSL Level = 1

Group Delay (L1)



Group Delay (L2/L5/L6)



12117 Bee Caves Rd, Bldg-3, Suite 200 Bee
Cave, TX 78738
Phone: 512-371-6159 | Fax: 512-351-8858
For terms and conditions of sales, please visit:
www.abracon.com

REVISED: 01-09-26

ABRACON IS
ISO9001-2015
CERTIFIED

GNSS L1/L2/L5/L6 SMD SAW DIPLEXER



AFII-SW-0095-Q

Request Samples

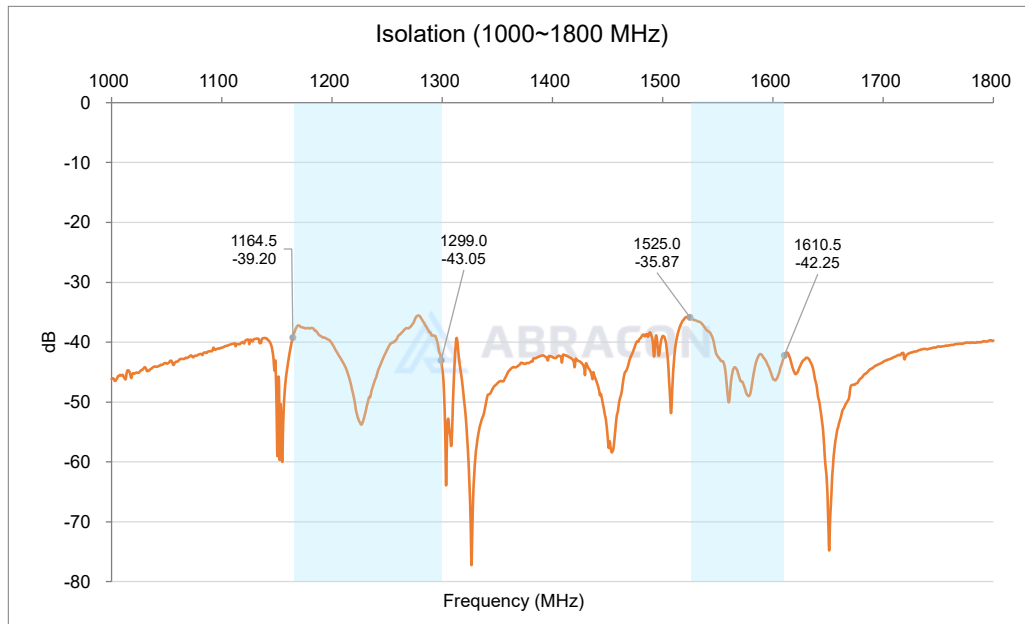


Check Inventory



1.5 x 1.1 x 0.38 mm
RoHS Compliant
MSL Level = 1

Isolation 1000 - 1800MHz



12117 Bee Caves Rd, Bldg-3, Suite 200 Bee
Cave, TX 78738
Phone: 512-371-6159 | Fax: 512-351-8858
For terms and conditions of sales, please visit:
www.abracon.com

REVISED: 01-09-26

ABRACON IS
ISO9001-2015
CERTIFIED

GNSS L1/L2/L5/L6 SMD SAW DIPLEXER



AFII-SW-0095-Q

Request Samples



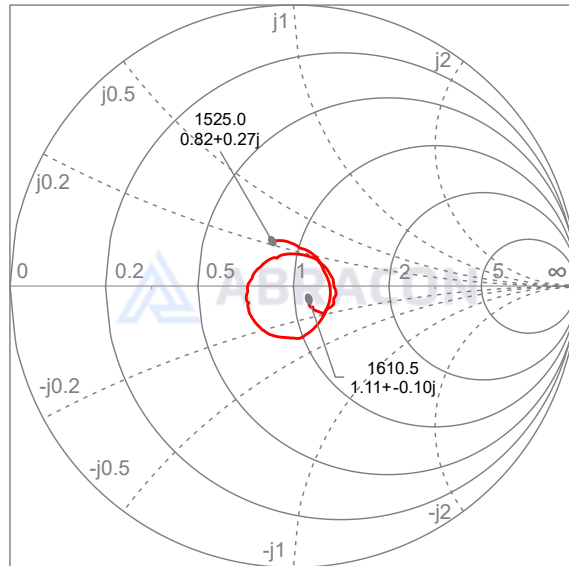
Check Inventory



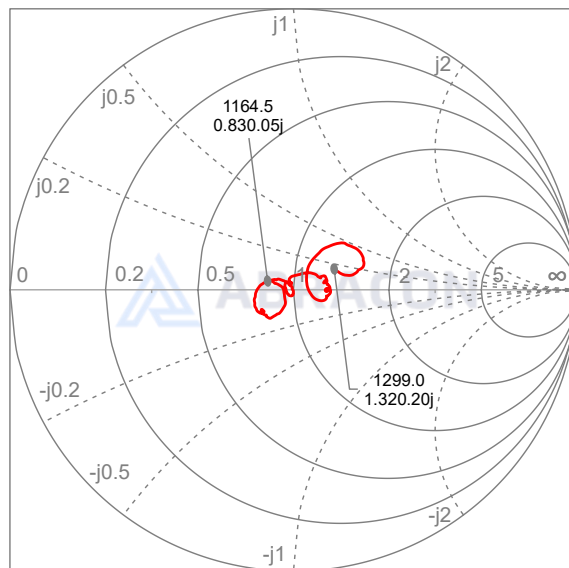
1.5 x 1.1 x 0.38 mm
RoHS Compliant
MSL Level = 1

Smith Chart (L1 & L2/L5/L6)

Smith chart S11 (1525~1610MHz)



Smith chart S11 (1164~1299MHz)



GNSS L1/L2/L5/L6 SMD SAW DIPLEXER



AFII-SW-0095-Q

Request Samples



Check Inventory



1.5 x 1.1 x 0.38 mm
RoHS Compliant
MSL Level = 1

Reflow Profile [JEDEC J-STD-020]

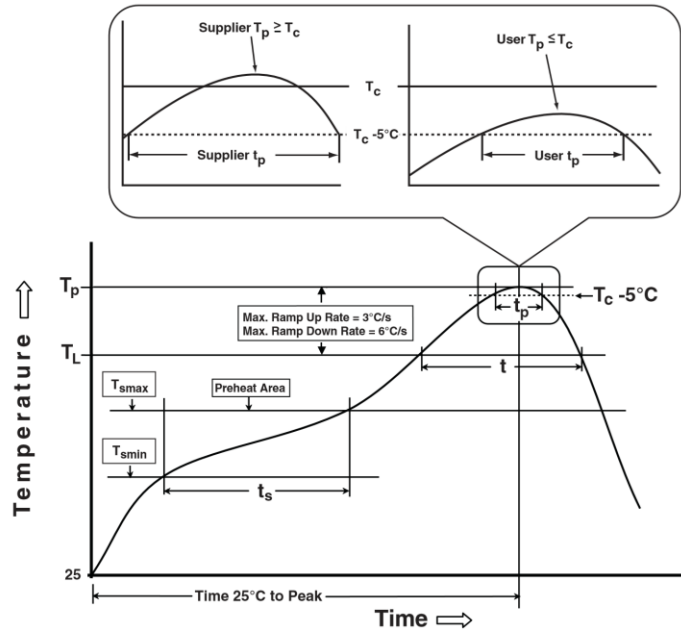


Table 1

SnPb Eutectic Process Classification Temperatures (T_c)		
Package Thickness	Volume mm^3 <350	Volume mm^3 ≥ 350
<2.5mm	235°C	220°C
$\geq 2.5\text{mm}$	220°C	220°C

Table 2

Pb-Free Process Classification Temperatures (T_c)			
Package Thickness	Volume mm^3 <350	Volume mm^3 350-2000	Volume mm^3 >2000
<1.6mm	260°C	260°C	260°C
1.6mm - 2.5mm	260°C	250°C	245°C
>2.5mm	250°C	245°C	245°C

Profile Feature	Sn-Pb Eutectic Assembly	Pb-Free Assembly
Preheat / soak		
Temperature minimum (T_{smin})	100°C	150°C
Temperature maximum (T_{smax})	150°C	180°C
Time (T_{smin} to T_{smax}) (t_s)	60 – 120 sec.	60 – 90 sec.
Average ramp-up rate (T_{smax} to T_p)	3°C/sec. max	3°C/sec. max
Liquidous temperature (T_L)	183°C	220°C
Time at Liquidous (T_L)	60 – 150 sec.	50 – 80 sec.
Peak package body temperature (T_p)*	See Table 1	See Table 2
Time (T_p)** within 5°C of the specified classification temperature (T_c)	20 sec.	20 ~ 40 sec.
Ramp-down rate (T_p to T_{smax})	6°C/sec. max	6°C/sec. max
Time 25°C to peak temperature	6 min. max	8 min. max
Reflow cycles	2 max	2 max

*Tolerance for peak profile temperature (T_p) is defined as a supplier minimum and a user maximum.

**Tolerance for time at peak profile temperature (t_p) is defined as a supplier minimum and a user maximum.

GNSS L1/L2/L5/L6 SMD SAW DIPLEXER



AFII-SW-0095-Q

Request Samples



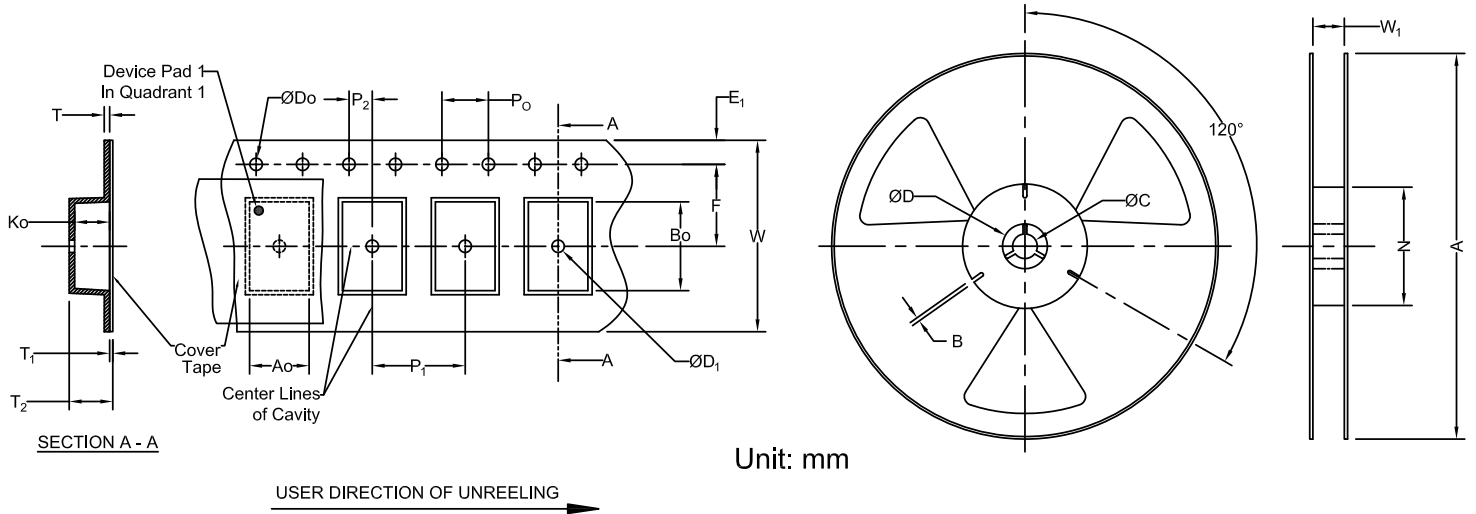
Check Inventory



1.5 x 1.1 x 0.38 mm
RoHS Compliant
MSL Level = 1

Packaging

Tape & Reel Dimension



Carrier Tape Specifications (mm)

Do	D ₁	E ₁	P ₀	P ₂	F	P ₁	W	A ₀	B ₀	K ₀	Reel Qty
1.5 + 0.1/-0	0.60 ± 0.05	1.75 ± 0.1	4.0 ± 0.1	2.0 ± 0.05	3.5 ± 0.05	4.0 ± 0.1	8.0 ± 0.2	1.35 ± 0.1	1.65 ± 0.1	0.75 ± 0.05	5,000

Reel Specifications (mm)

A	W ₁	N	C	D
178.0 ± 1.0	9.5 ± 0.5	60 ± 0.5	13.5 ± 0.5	21 ± 0.8

ATTENTION: Abracon LLC's products are Commercial-Off-The-Shelf ('COTS'), which are designed, intended, and validated for use in commercial, industrial, and automotive applications. The customer is responsible for testing and verifying the performance of an Abracon solution to meet their system-level requirements.



12117 Bee Caves Rd, Bldg-3, Suite 200 Bee
Cave, TX 78738
Phone: 512-371-6159 | Fax: 512-351-8858
For terms and conditions of sales, please visit:
www.abracon.com

REVISED: 01-09-26

ABRACON IS
ISO9001-2015
CERTIFIED