

RFPC-SMA23-FN: SMA Bulkhead Jack With O-ring, Edge Mount Connector, Rated to IP68/69K, 6GHz

Material and Plating:

- Insulator A: Teflon
- Insulator B: Teflon
- Body: Brass, Gold Plated
- Pin: Phosphor Bronze, Gold Plated
- Gasket A: Silicone rubber, Color: Red
- Gasket B: Silicone rubber, Color: Red
- O-Ring: Silicone rubber, Color: Red
- Barrel: Brass, Gold Plated

Washer: Brass, Gold Plated

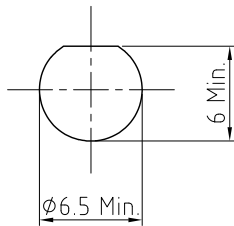
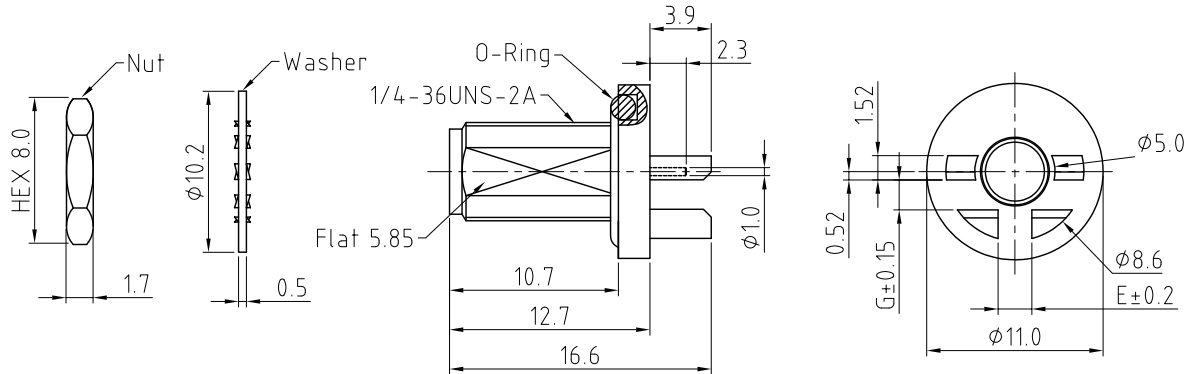
Nut: Brass, Gold Plated

Environmental:

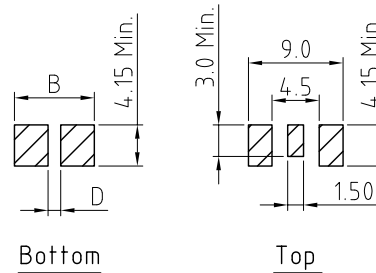
- A. Tested to:
 - i. IP6x - Dust tight - no particle ingress.
 - ii. IPx8 Waterproof for 48 hours at 1 meter underwater.
 - iii. IPx9K Water spray, 14-16L per minute, at 8,000 ~ 10,000 kPa, at 100-150mm distance for 30 seconds.

Notes:

- 1. Working Frequency Range: DC-6GHz.
- 2. Operating Temperature: -65°C to +165°C.
- 3. Impedance: 50 Ohm
- 4. VSWR: 1.5 Max.
- 5. Recommended PCB Thickness: 0.80mm/1.20mm/1.60mm.
Other PCB thickness available on request



Recommended Mounting Hole



Recommended Foot Print

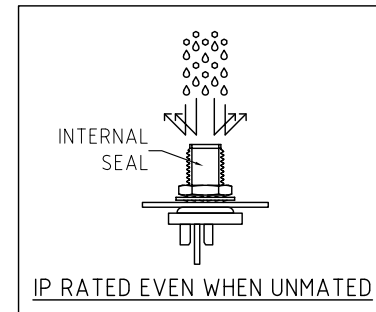
Tolerance: ±0.05

Dim B	Dim D	Dim E	Dim G	Recommended PCB thickness
8.4	3.7	4.0	0.95	0.80
8.0	3.7	4.0	1.40	1.20
7.6	1.2	1.55	1.86	1.60

HOW TO ORDER
RFPC - SMA23 - FN - XXX - X

DIMENSION G OPTIONS:
095 = 0.95MM, FOR 0.80MM PCB THICKNESS
140 = 1.40MM, FOR 1.20MM PCB THICKNESS
186 = 1.86MM, FOR 1.60MM PCB THICKNESS

WASHER AND NUT OPTIONS:
BLANK = SEPARATELY PACKED (STANDARD)
A = ALL ASSEMBLED WITH CONNECTOR



REV. DATE & DRN	10. 23/05/23 - NYW RELEASE
11. 26/06/23 - NYW UPDATE IP RATING	
12. 04/07/24 - NYW ADD IP RATING	
13. 31/03/24 - CC ADD IP RATING VIEW	
14. 12/04/24 - CC ADD NOTE FOR OTHER PCB THICKNESS	
15. 12/04/24 - CC ADD 0.95MM GAP OPTIONS.	
16. 04/12/24 - CC Add GCT logo.	
17. 24/02/25 - CC Add 1.40mm to Dim G options.	

Scale: NTS	THIRD ANGLE	Unstated X XX XXX ANGLES	Tolerances: ±0.2 ±0.2 ±0.2 N/A
Drawn: CC			
App'd: XXX	Title SMA PCB Connector		
Date: 24 Feb. '25	Revision: 1.7	Unit: mm	

IP Rated
RF Products



Drawing Number:	RFPC-SMA23-FN
Sheet 1 of 1	
Drawing ©	E and O E