

CAB451RF: I-PEX MHF I PLUG + S/S TNC STRAIGHT BULKHEAD JACK W/O-RING RATED TO IP67/68 + MULTIPLE CABLE SIZES

SPECIFICATIONS :

1. I-PEX MHF I PLUG, GOLD PLATED, P/N:
FOR $\phi 1.37$ MM CABLE: 20351-112R-37.
FOR RG178 CABLE: 20278-112R-18.
2. COAXIAL CABLE, SEE P/N OPTIONS
3. TNC STRAIGHT BULKHEAD JACK W/O-RING, W/SUS303 STAINLESS STEEL BODY, RATED TO IP67/68, P/N: RFCT-TNC018-F78 (SILICONE O-RING) OR RFCT-TNC018-F78-1 (EPDM O-RING).

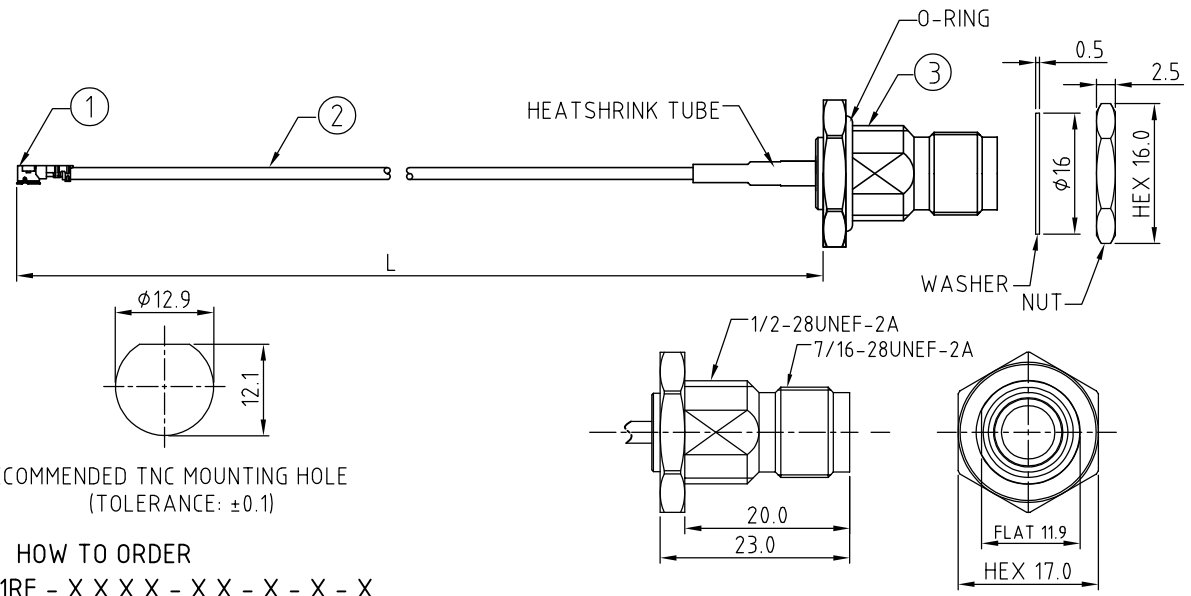
USAGE PRECAUTIONS: CABLES USING 'MICRO' COAX ARE DELICATE:
 (i) HANDLE WITH CARE.
 (ii) DO NOT TWIST; APPLY EXCESSIVE FORCES OR SHARP BENDS TO THE CABLE. DO NOT FORCEFULLY DEFORM WIRES.
 (iii) CONSULT CONNECTOR MANUFACTURER'S DATASHEETS FOR DETAILED NOTES ON HANDLING INSTRUCTIONS.

ENVIRONMENTAL:

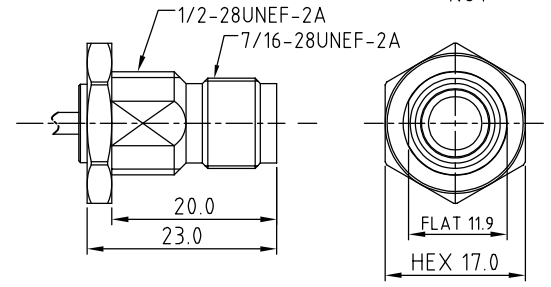
- A. BULKHEAD MOUNTED CONNECTOR (RFCT-TNC018-F78) RATED TO THE FOLLOWING SPECIFICATION:
- i. IP6X - DUST TIGHT - NO PARTICLE INGRESS.
 - ii. IPX7 WATERPROOF FOR 30 MINUTES UP TO 1 METER UNDERWATER.
 - iii. IPX8 WATERPROOF FOR 48 HOURS AT 1 METER UNDERWATER.

NOTES:

1. THE ORIENTATION OF CONNECTORS ON DRAWING IS FOR REFERENCE ONLY, IF THE ORDER IS LEFT BLANK THE CONNECTOR WILL NOT HAVE FIXED ORIENTATION.
2. FIXED ORIENTATION IS SUGGESTED FOR CABLE LENGTH 25MM TO 100MM. PLEASE SPECIFY THE FIXED ORIENTATIONS FROM THE ORDER CODE (F1, F2, ETC)
3. CONTACT GCT IF THE ORIENTATION YOU REQUIRE IS NOT SHOWN.
4. WORKING FREQUENCY RANGE: DC-6GHz.
5. OPERATING TEMPERATURE: -40°C TO +85°C
6. IMPEDANCE: 50 OHM
7. IF THE CONNECTOR IS USED IN A CORROSIVE ENVIRONMENT, WE RECOMMEND THE CONNECTOR FACE IS PROTECTED WITH A STAINLESS STEEL DUST CAP.
8. PLEASE USE THE RECOMMENDED TORQUE FORCES FOR STAINLESS STEEL CONNECTORS. THIS IS PUBLISHED ON GCT.CO RESOURCES PAGE.



RECOMMENDED TNC MOUNTING HOLE (TOLERANCE: ± 0.1)



TNC DETAIL DRAWING

HOW TO ORDER

CAB451RF - X X X X - X X - X - X - X

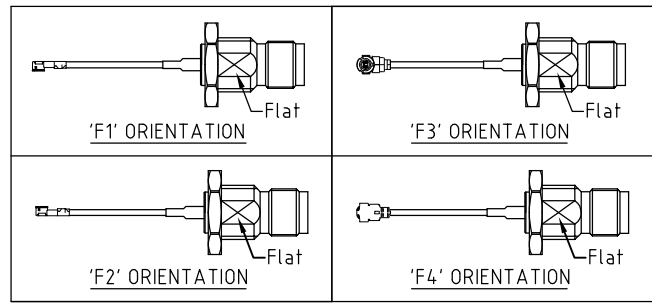
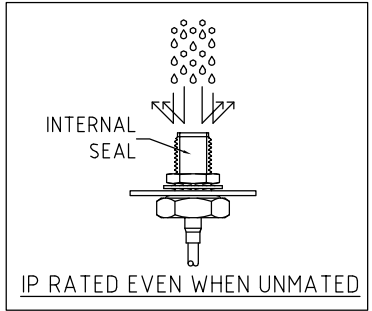
"L" LENGTH IN MM:
 eg: 100MM = 0100
 (MIN. 0025-MAX.0400)
 STANDARD = 0100, 0150, 0200
 Tolerance: 50mm: ± 2 mm.
 51-200mm: ± 5 mm.
 201-400mm: ± 7 mm.

O-RING MATERIAL OPTIONS:
 S = SILICONE, BLACK
 E = EPDM, BLACK (STANDARD)

CABLE SIZE OPTIONS
 1= $\phi 1.37$ CABLE, COLOUR: BLACK.
 2=RG178 CABLE, COLOUR: BROWN.

WASHER AND NUT OPTIONS:
 BLANK = SEPARATELY PACKED (STANDARD)
 A = ALL ASSEMBLED WITH CONNECTOR

ORIENTATION OPTIONS:
 BLANK = DOES NOT HAVE A FIXED ORIENTATION
 F1 = MHF CONNECTION DOWN (L=25-200MM)
 F2 = MHF CONNECTION UP (L=25-200MM)
 F3 = MHF CONNECTION AND TNC FLAT SAME ORIENTATION (L=25-200MM)
 F4 = MHF CONNECTION AND TNC FLAT OPPOSITE ORIENTATION (L=25-200MM)
 (SEE NOTES 1, 2, 3 AND DIAGRAMS FOR MORE INFORMATION)



REV. DATE & DRN
10. 15/07/21 - NYW RELEASE
11. 02/09/21 - NYW OPTION
12. 27/04/21 - NYW
13. 05/01/21 - NYW
14. 31/09/22 - NYW
15. 02/02/21 - NYW
16. 07/05/23 - NYW
17. 30/05/23 - NYW
18. 28/01/24 - CC
19. 16/02/25 - CC
20. 13/03/26 - NYW
ADD RG178 CABLE SIZE OPTION
ADD EMPA ORIENTATIONS
UPDATE TNC DETAIL VIEW

Scale: NTS	THIRD ANGLE	Unstated: X, XX, XXX ANGLES	Tolerances: N/A, N/A, N/A
Drawn: MW			
App'd: VJ	Title CABLE ASSEMBLY		
Date: 13th MAR. '26	Revision: 2.0	Unit: mm	

IP Rated RF Products



www.gct.co www.gradconn.com

Drawing Number: CAB451RF
Sheet 1 of 1
Drawing © E and O E