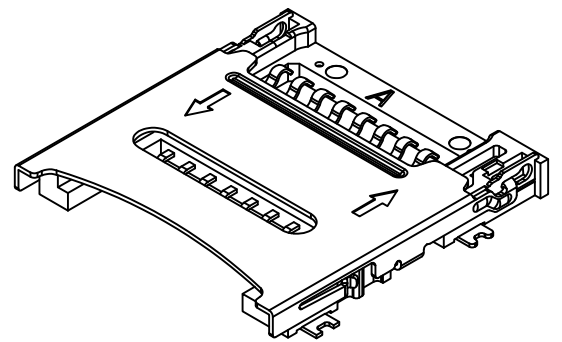


Recommended PCB Layout

General Tolerance: ± 0.05
 ▨ Solder Area ▩ Keep Out Area □ Component Outline

Micro SD Card Pin Out		
Pin	Name	Description
P1	DAT2	Data Bit 2
P2	CD/DAT3	Card Detect/Data Bit 3
P3	CMD	Command Line
P4	VDD	Supply Voltage 2.7v/3.6v
P5	CLK	Clock
P6	VSS	Ground
P7	DAT0	Data Bit 0
P8	DAT1	Data Bit 1



Specifications

Material
 Plastic Housing: LCP UL94V-0, Black
 Contact Terminal: Copper Alloy
 Metallic Shell: Stainless Steel
 SMT Hold-Down: Stainless Steel

Plating

Contact Terminal:
 Underplating: 50 μ m Nickel all over
 Contact Area: Gold Flash
 Soldering Area: Tin
SMT Hold-Down:
 Tin over Nickel

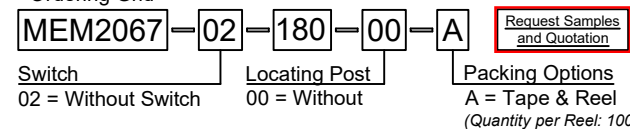
Electrical

Voltage Rating: 100 V DC
 Current Rating: 0.5 A max.
 Contact Resistance: 100 m Ω max.
 Card Detection Switch
 Contact Resistance: 500 m Ω max.
 Insulation Resistance: 1000 M Ω min
 Dielectric Withstanding Voltage: 500V AC for 1 min.

Mechanical & Environmental

Operating Temperature: -40 $^{\circ}$ C to +85 $^{\circ}$ C
 Durability: 5000 Cycles

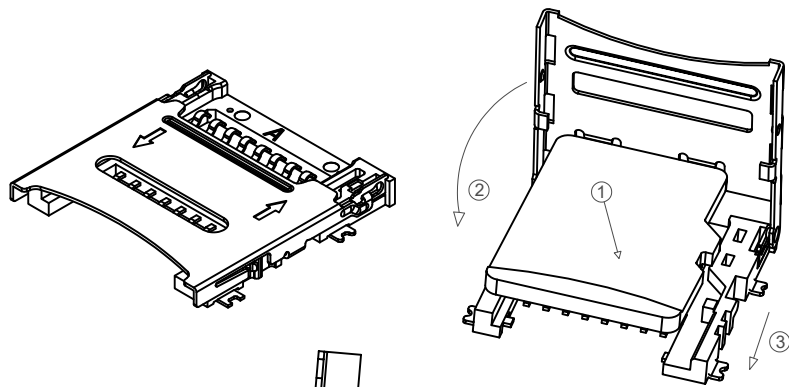
Ordering Grid



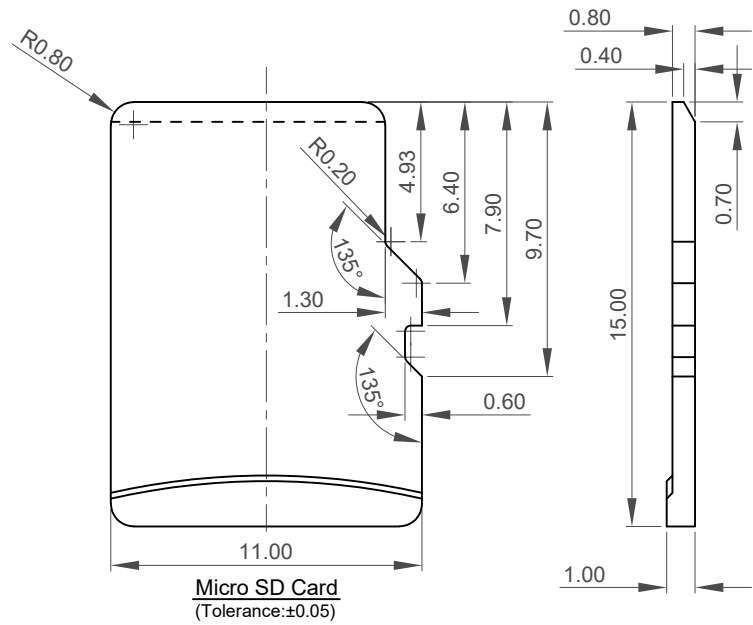
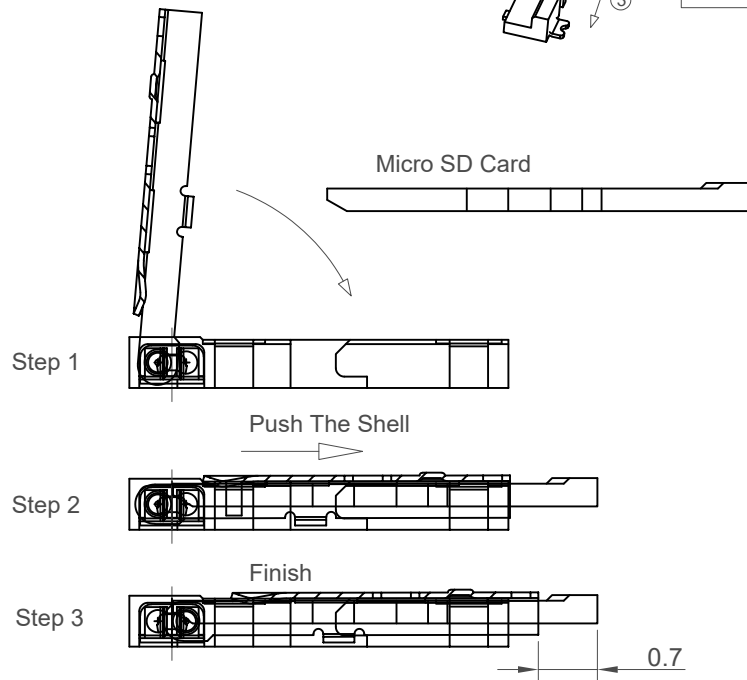
Request Samples and Quotation

(Quantity per Reel: 1000 pcs)

Part Number MEM2067		Product Description Micro SD Memory Card Connector		 www.gct.co
Drawing Date 10th January 2014		SMT, Hinged, 1.80mm Profile		
By Detail	KY MEM2067 B PCN	Tolerances (Except as Noted)		
Revision Date	B6 21/05/25	Length X. ± 0.35 X.X ± 0.25 X.XX ± 0.15 X.XXX ± 0.10	Angle X. $^{\circ}$ $\pm 5^{\circ}$ X.X $^{\circ}$ $\pm 4^{\circ}$ X.XX $^{\circ}$ $\pm 3^{\circ}$ X.XXX $^{\circ}$ $\pm 2^{\circ}$	
Units: Metric (mm)		This drawing is confidential and copyright of Global Connector Technology, Ltd (GCT). This drawing must not be copied or disclosed without written consent. E & OE		Not to Scale Drawn By AJO Sheet No. 1/3

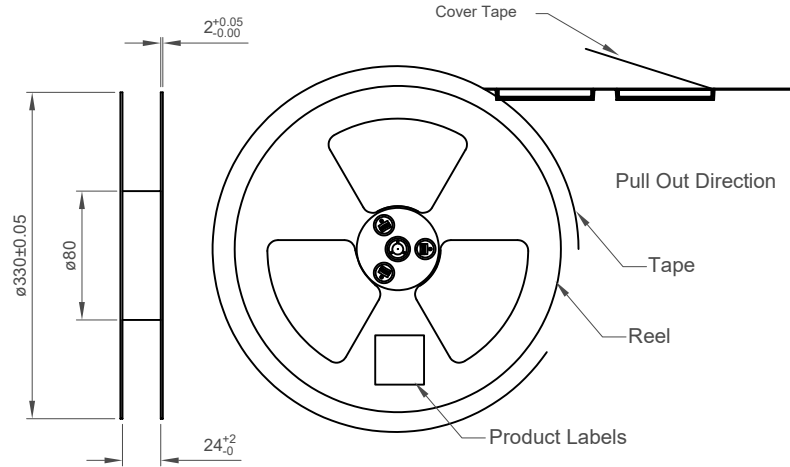


- ① Insert Card
- ② Close Lid
- ③ Slide Lid To Lock

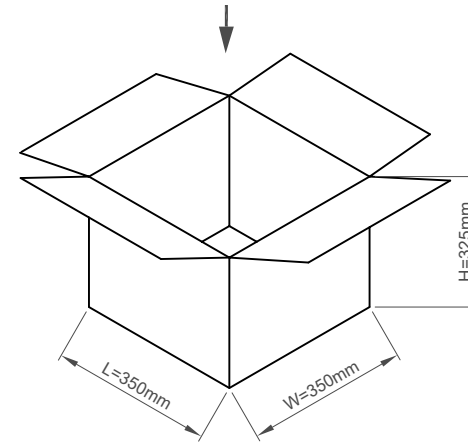
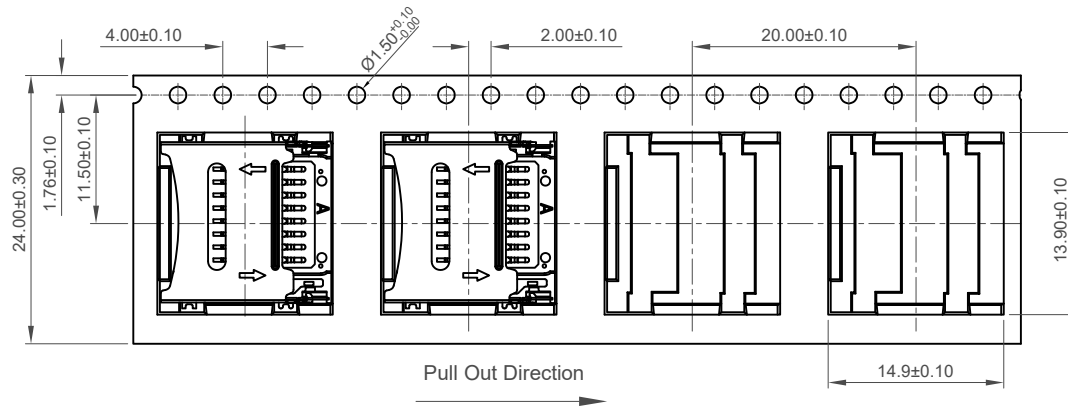
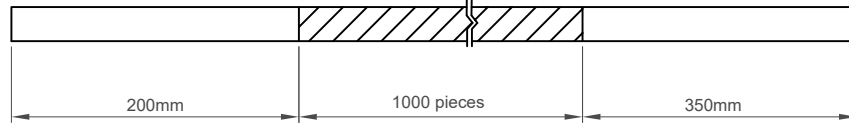
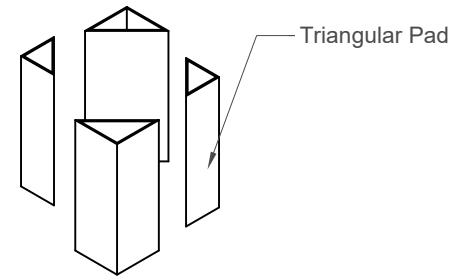
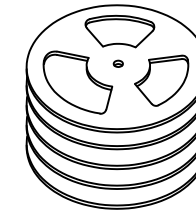


All drawings for illustrative purposes only.
Not representative of actual parts.

Part Number		Product Description		 www.gct.co
MEM2067		Micro SD Memory Card Connector		
Drawing Date		SMT, Hinged, 1.80mm Profile		
10th January 2014				
By	KY	Tolerances (Except as Noted)	Units:	 This drawing is confidential and copyright of Global Connector Technology, Ltd (GCT). This drawing must not be copied or disclosed without written consent. E & OE
Detail	MEM2067 B PCN	Length	Metric (mm)	
Revision	B6	Angle		
Date	21/05/25	X.X ± 0.35	X.° ± 1°	
		X.XX ± 0.25	X.X° ± 0.5°	
		X.XXX ± 0.150	X.XX° ± 0.25°	 <small>3rd Angle Projection</small>



Product no.	PCS/Reel	Reels/Carton	PCS/Carton
MEM2067	1000	10	10000



- Notes:
1. Primary Packing: 1K pcs/reel
 2. Secondary Packing: 10 reel/carton
 3. Net Weight/carton : 9.30Kg
 4. Gross Weight/carton: 10.50Kg

Part Number		Product Description	
MEM2067		Micro SD Memory Card Connector	
Drawing Date		SMT, Hinged, 1.80mm Profile	
10th January 2014			
By	KY	Tolerances (Except as Noted)	Units:
Detail	MEM2067 B PCN	Length: X. ± 0.35 Angle: X.° ± 5°	Metric (mm)
Revision	B6	X.X ± 0.25 X.XX ± 0.15	X.X° ± 4° X.XX° ± 3°
Date	21/05/25	X.XXX ± 0.10	X.XXX° ± 2°



This drawing is confidential and copyright of Global Connector Technology, Ltd (GCT). This drawing must not be copied or disclosed without written consent. E & OE



Not to Scale | Drawn By AJO | Sheet No. 3/3