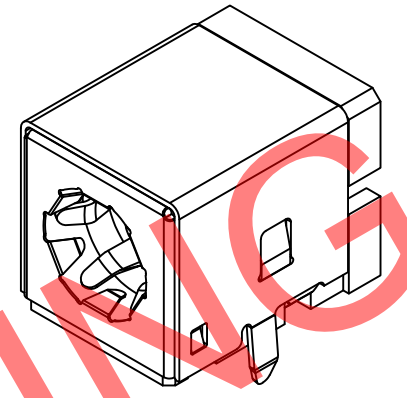


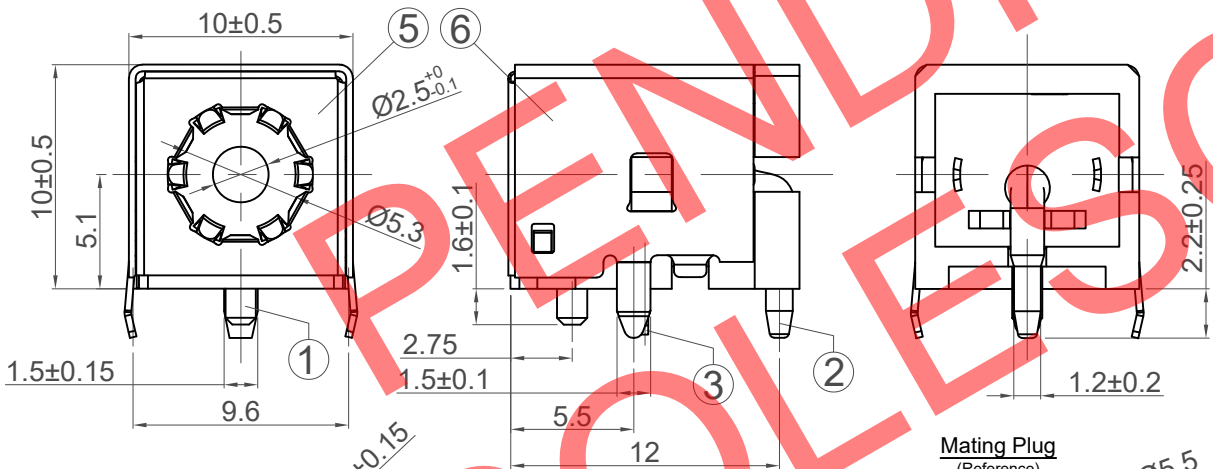
Recommended PCB Layout
(Tolerance: ±0.05mm)
□ Component Outline



Specifications

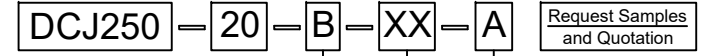
Electrical
Voltage Rating: 30 V DC
Current Rating: 8 Amp
Insulation Resistance: 100 MΩ min.
Dielectric Withstanding: 500 V AC
Contact Resistance: 30 mΩ max.

Mechanical & Environmental
Operating Temperature: -20°C to +70°C
Durability: 5,000 cycles min.



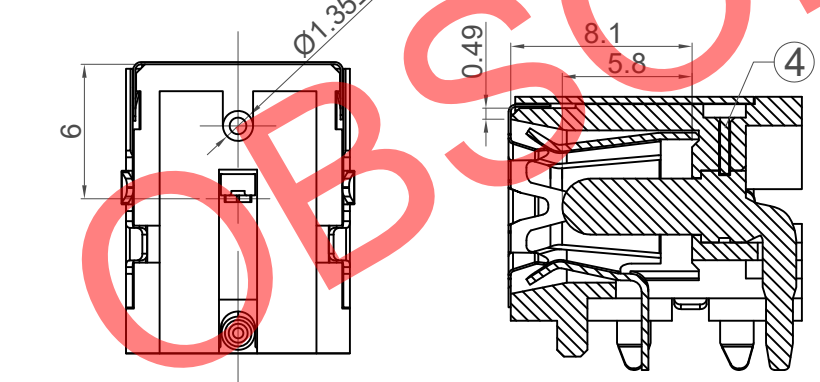
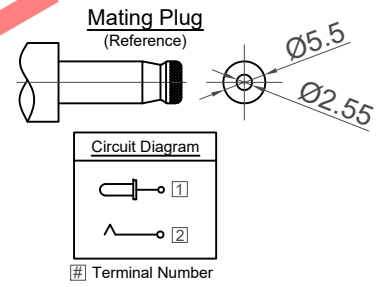
No.	Description	Material	Q'ty
①	Housing	PA10T, UL94 V-0	1
②	Centre Pin	① Zinc Alloy, Nickel plating	1
③	Tip Spring	② Copper Alloy, Silver plating	1
④	Terminal	Copper Alloy	1
⑤	Shield Plate	Stainless Steel	1
⑥	Ground Terminal	ⓔ Copper Alloy, Nickel plating	1

Ordering Grid



Circuit Diagram
B = 2 Conductors/2 Contacts
Insulator Colour
K1 = Black (Standard)
O1 = Orange (157C)

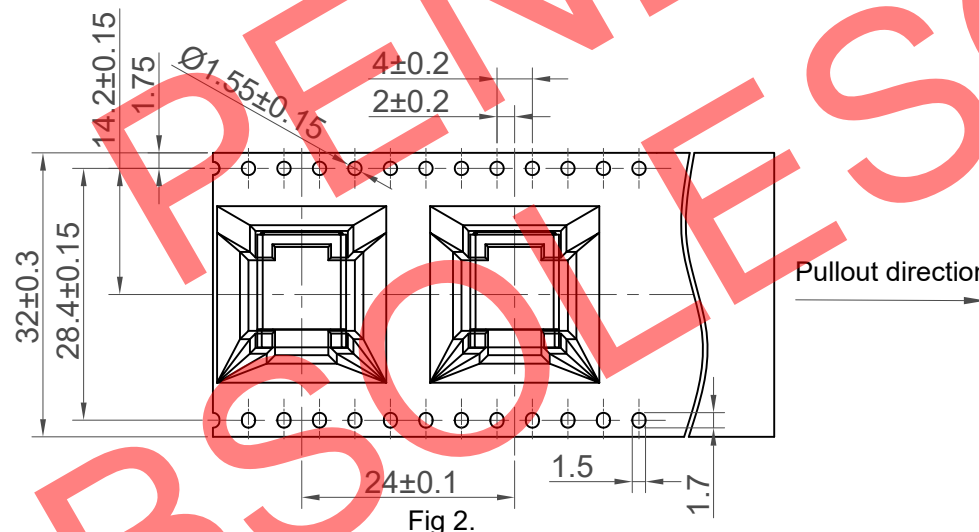
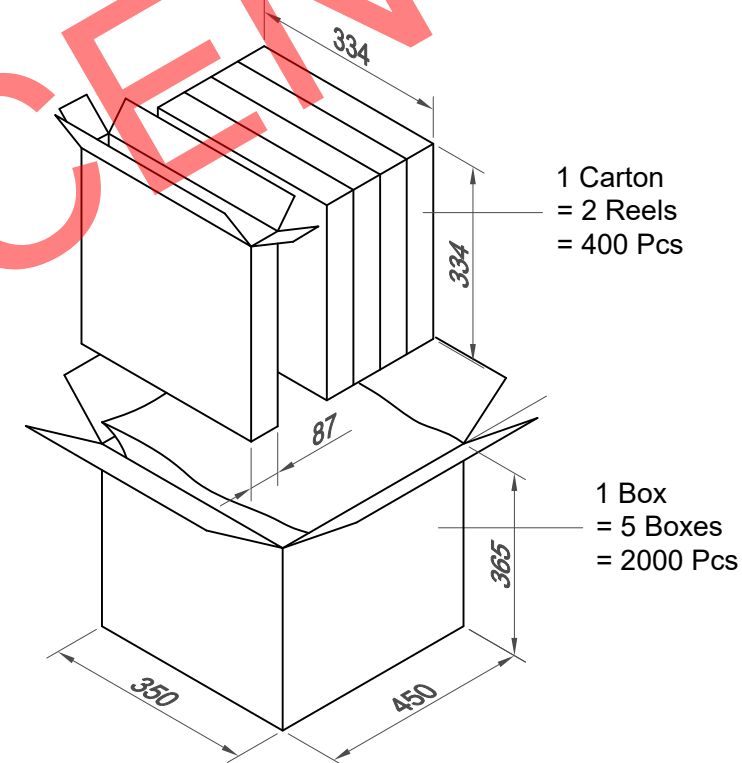
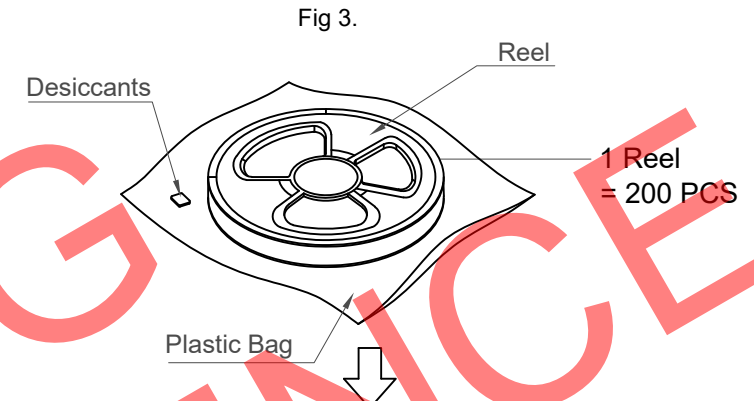
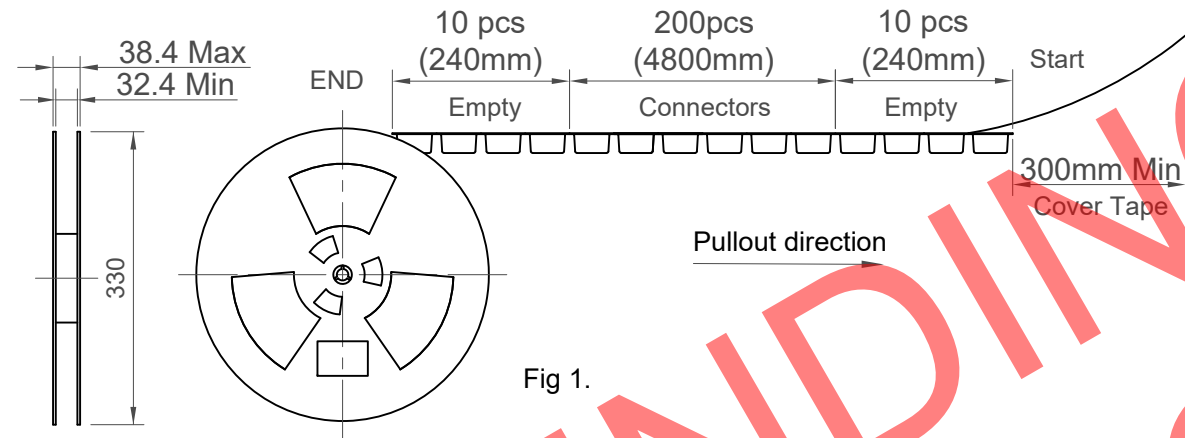
Packing
A = Tape & Reel
(200 per reel)



Section A-A

Part Number DCJ250-20		Product Description DC Power Jack, Thru-Hole, Horizontal, Shielded w/ Locating Peg, Ø2.50mm Pin mates with Ø2.55mm Plug		GCT www.gct.co
Drawing Date 8th December 2015				
By Detail	CC Drawing Release	Tolerances (Except as Noted) Length	Units: Metric (mm)	This drawing is confidential and copyright of Global Connector Technology, Ltd (GCT). This drawing must not be copied or disclosed without written consent. E & OE
Revision Date	A2 05/12/23	± 0.3	± 2°	
		3rd Angle Projection		Not to Scale Drawn By AJO Sheet No. 1/2

Part Number	Pcs/Reel	Reels/Carton	Cartons/Box	Pcs/Box
DCJ250-20	200	2	5	2000



REMARK:

- The connector can not be loaded on the position of length 240mm in the reel tape and lead tape. The cover tape with 20~30mm length shall not be adhesive on the lead tape and the cover tape is lead portion shall have 300mm min length (Refer FIG 1).
- Tape shall turn on right direction.
- The direction of connector is fixed regarding the position of terminal, please refer outline drawing (Refer FIG 2).
- After winding, using the adhesive tape (30~50mm) to stick the leader of cover tape on the side of reel.
- One reel can be loaded 200 pcs connector.
- The label shall be pasted on the front side of reel.
- Condition of 300mm per minute, the extraction strength of cover tape shall reach 20~150 gf.
- If the quantity is less than 6 reels per carton, the packing shall be able to resist shaking.

Part Number DCJ250-20		Product Description DC Power Jack, Thru-Hole, Horizontal, Shielded w/ Locating Peg, Ø2.50mm Pin mates with Ø2.55mm Plug		 www.gct.co
Drawing Date 8th December 2015				
By CC	Tolerances (Except as Noted) Length	Angle	Units: Metric (mm)	 This drawing is confidential and copyright of Global Connector Technology, Ltd (GCT). This drawing must not be copied or disclosed without written consent. E & OE
Detail Drawing Release	± 0.3	± 2°	 3rd Angle Projection	
Revision Date	A2 05/12/23			
Not to Scale	Drawn By AJO	Sheet No. 2/2		