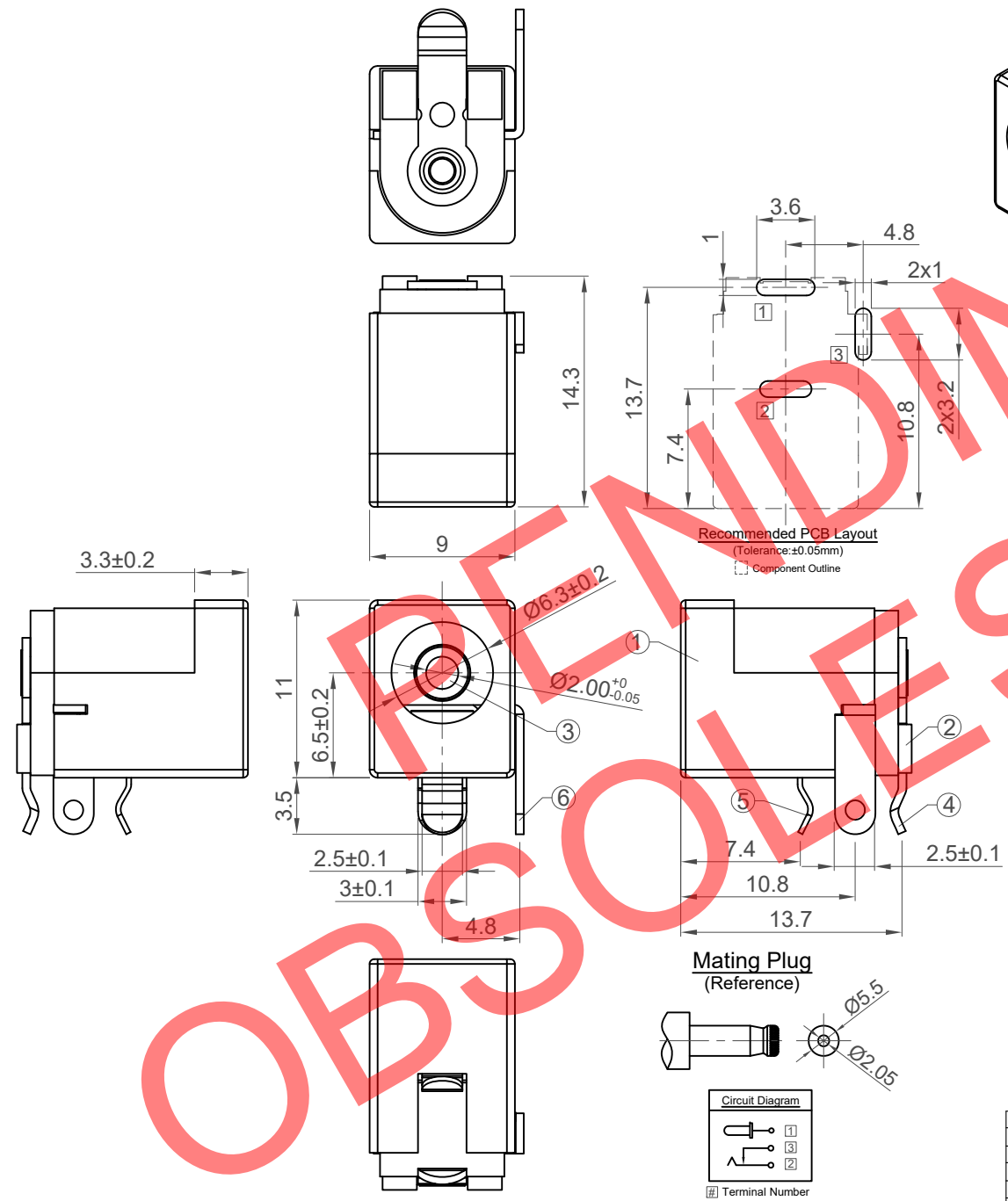


H
G
F
E
D
C
B
A



Specifications 规格

Electrical 电气规格

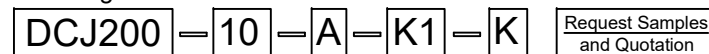
Voltage rating 电压额定值: 20 V DC
 Current Rating 电流额定值: 5 Amp
 Insulation Resistance 绝缘电阻值: 100 MΩ min.
 Dielectric Withstanding 耐电压: 500 V AC
 Contact Resistance 接触电阻值: 30 mΩ max.

Mechanical & Environmental 机械 & 环境

Operating Temperature 工作温度: -20°C to +70°C
 Durability 耐久性: 5,000 cycles min.

No.	Description	Material	Q'ty
①	Housing	PBT, UL94 V-0	1
②	Cover	PBT, UL94 V-0, Black	1
③	Centre Pin	① Brass, Cu-Sn/Nickel plating	1
④	Centre Pin Terminal	① Brass, T=0.50mm, Silver plating	1
⑤	Tip Spring	② Phosphor Bronze, T=0.30mm, Silver plating	1
⑥	Shunt Terminal	③ Brass, T=0.50mm, Silver plating	1

Ordering Grid



Circuit Diagram

A = 2 Conductors/3 Contacts

Insulator Colour

K1 = Black (Standard)

W1 = White (0100) B1 = Blue (0037)

G1 = Grey (0292) G2 = Grey (0228)

V1 = Green (0247) V2 = Green (0116)

Y1 = Yellow (0039)

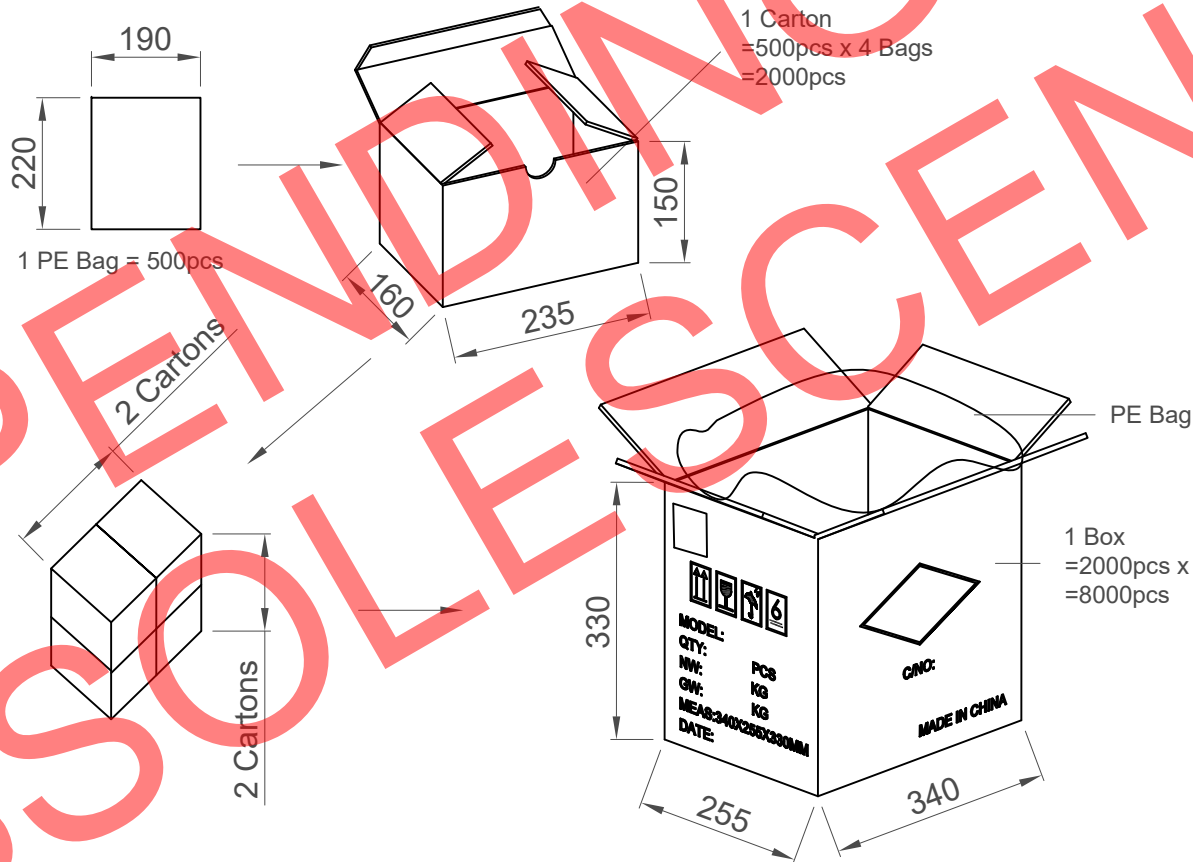
Packing

K = Bag
(500 per bag)

Part Number		Product Description			
DCJ200-10		DC Power Jack, Thru-Hole, Horizontal, w/Locating Pegs			
Drawing Date		Ø2.00mm Pin mates with Ø2.05mm Plug			
11th December 2015					This drawing is confidential and copyright of Global Connector Technology, Ltd (GCT). This drawing must not be copied or disclosed without written consent. E & OE
By	AJO	Tolerances (Except as Noted)			
Detail	Drawing Release	Length	Angle		
Revision	A	± 0.3	± 2°	Units: Metric (mm)	Not to Scale
Date	11/12/15				
					Sheet No. 1/2

GCT
www.gct.co

Part Number	Pcs/Bag	Bags/Carton	Cartons/Box	Pcs/Carton
DCJ200-10	500	4	4	8000



PENDING OBSOLESCE

Part Number		Product Description		 www.gct.co
DCJ200-10		DC Power Jack, Thru-Hole, Horizontal, w/Locating Pegs		
Drawing Date		Ø2.00mm Pin mates with Ø2.05mm Plug		
11th December 2015				
By	AJO	Tolerances (Except as Noted)		 This drawing is confidential and copyright of Global Connector Technology, Ltd (GCT). This drawing must not be copied or disclosed without written consent. E & OE
Detail	Drawing Release	Length	Angle	
Revision	A	± 0.3	± 2°	 3rd Angle Projection
Date	11/12/15			
		Units: Metric (mm)		Not to Scale
				Drawn By AJO
				Sheet No. 2/2

H
G
F
E
D
C
B
A

1 2 3 4 5 6 7 8