

# QUARTZ CRYSTAL MHZ

Part Number: 8301100349 | IQXC-42

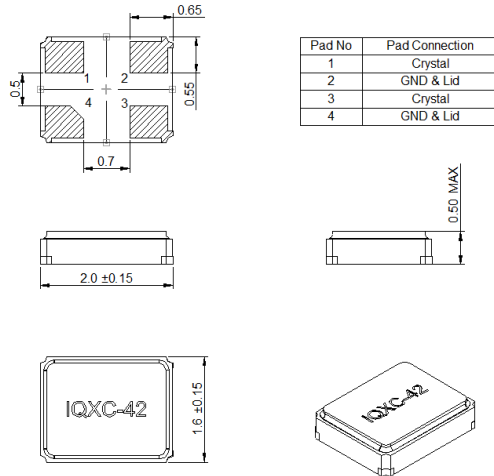
AKA Number: LFXTAL100349



## General Information

2.0 x 1.6 mm SMD crystal. Ceramic package with a seam sealed metal lid, hermetically sealed.

## Dimensions [mm]

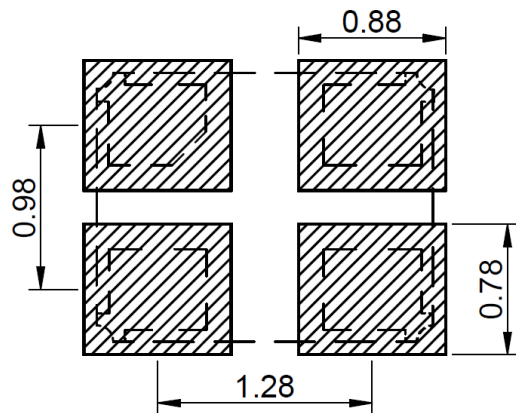


Pad No	Pad Connection
1	Crystal
2	GND & Lid
3	Crystal
4	GND & Lid



Note: The pad style on the base of the device may differ slightly from the drawing.  
The chamfer may appear on pad 2 or 4.  
This causes no change to the electrical performance of the device

## Recommended Land Pattern [mm]



# QUARTZ CRYSTAL MHZ



Part Number: 8301100349 | IQXC-42

AKA Number: LFX TAL100349

## Frequency Parameters

Frequency	24.5760 MHz
Frequency Tolerance	± 10 ppm @ 25 °C
Frequency Stability	± 100 ppm
Operating Temperature	-40 °C to 125 °C
Overtone Order	Fundamental
Ageing	± 3 ppm max. first year

## Material Parameters

Termination Finish	Au 0.3 µm to 1 µm
Moisture Sensitivity Level (MSL)	Not Applicable

## Electrical Parameters

Load Capacitance $C_L$	10 pF
Shunt Capacitance $C_0$	3 pF max.
Drive Level	100 µW max.
ESR	120 Ω max.

## Environmental Parameters

- Storage Temperature Range: -55 °C to 125 °C
- Vibration (MIL-STD-202 Method 204 ): Frequency: 10 ~ 55 Hz. Amplitude: 0.7 - 0.9 mm pk-pk. Sweep: 1 minute. Duration: 2 hours in each of the 3 mutually perpendicular directions.
  - Shock Test (MIL-STD-202 Method 213. Condition C): Half-sine shock pulse peak acceleration of 100 g; pulse duration of 6 ms.

## Technical Standards

RoHS Status	2015/863/EU - Compliant
REACH Status	(EC)1907/2006 - Compliant

## Packaging Details

Packaging SPQ	Tape & Reel 3000 pcs
Tape & reel in accordance with EIA-481	
Quantities below the standard reel size to be supplied on cut tape.	

## Company Address

IQD Frequency Products Ltd.  
Station Road  
Crewkerne  
Somerset  
TA18 8AR, United Kingdom