

QUARTZ CRYSTAL MHZ

Part Number: 8301100312 | CFPX-180

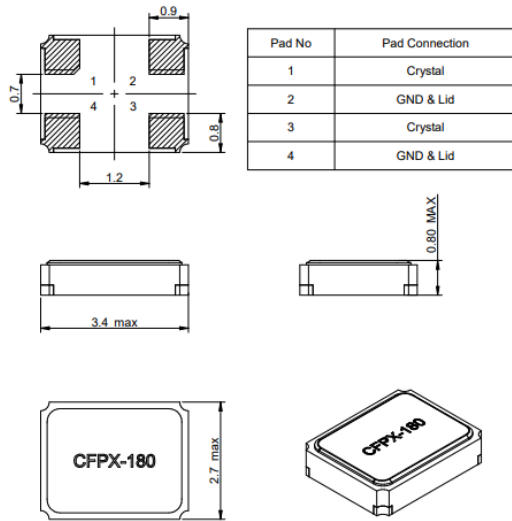
AKA Number: LFX TAL100312



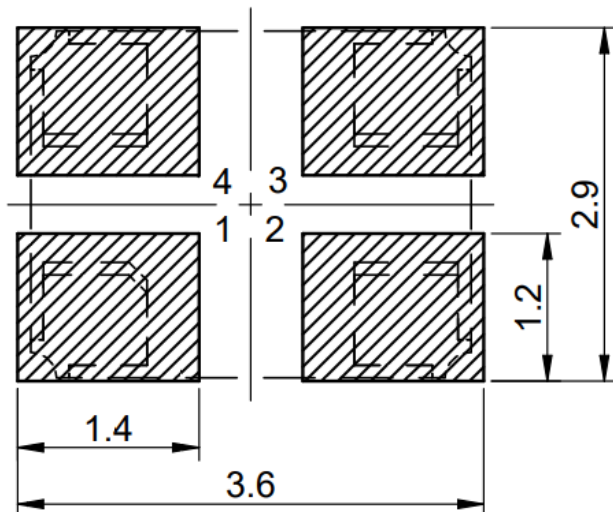
General Information

Standard 3.2 x 2.5 mm SMD crystal in a ceramic package with a seam sealed metal lid, hermetically sealed.

Dimensions [mm]



Recommended Land Pattern [mm]



QUARTZ CRYSTAL MHZ



Part Number: 8301100312 | CFPX-180

AKA Number: LFX TAL100312

Frequency Parameters

Frequency	30.0 MHz
Frequency Tolerance	± 30 ppm @ 25 °C
Frequency Stability	± 50 ppm
Operating Temperature	-40 °C to 125 °C
Overtone Order	Fundamental
Ageing	± 5 ppm max. per year @ 25 °C

Material Parameters

Termination Finish	Au Ni
Moisture Sensitivity Level (MSL)	Not Applicable

Manufacturing Details

Reflow: 260 °C max. over 10 seconds max.

Company Address

IQD Frequency Products Ltd.
Station Road
Crewkerne
Somerset
TA18 8AR, United Kingdom

Electrical Parameters

Load Capacitance C_L	8 pF
Shunt Capacitance C_0	7 pF max.
Drive Level	100 µW max.
ESR	40 Ω max.

Environmental Parameters

Storage Temperature Range: -55 °C to 125 °C

- Shock: 1500g, 0.5 ms, 3 times in each of the 3 mutually perpendicular planes.
- Vibration: MIL-STD-883F, 20 g (20.0 Hz ~ 2000.0 Hz), 1.52 mm amplitude, 20 minutes in each of the 3 mutually perpendicular planes, 4 cycles.

Technical Standards

RoHS Status	2015/863/EU - Compliant
REACH Status	(EC)1907/2006 - Compliant

Packaging Details

Packaging SPQ	Tape & Reel 3000 pcs
Tape & reel in accordance with EIA-481	
Quantities below the standard reel size to be supplied on cut tape.	