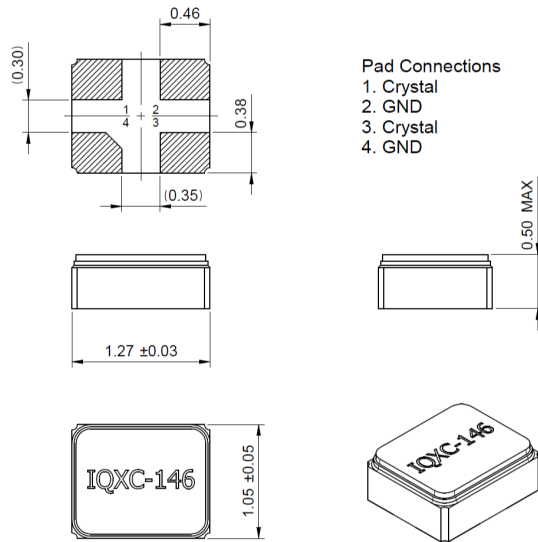




## General Information

Very low height 1.27 x 1.05 mm SMD crystal in a hermetically sealed ceramic package with a sealed metal lid. Suitable for Real Time Clock applications.

## Dimensions [mm]

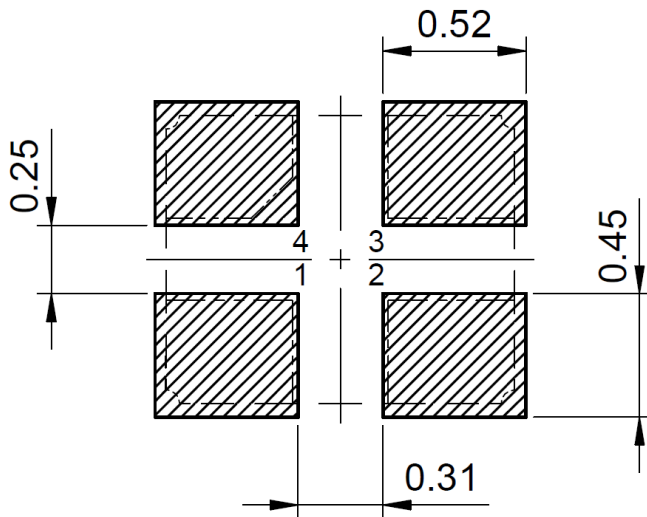


### Pad Connections

1. Crystal
2. GND
3. Crystal
4. GND



## Recommended Land Pattern [mm]



## Frequency Parameters

Frequency	32.7680 kHz
Frequency Tolerance	± 20 ppm @ 25 °C ±5 °C
Overtone Order	Fundamental
Ageing	± 5 ppm max in 1st year @ 25 °C ± 3 °C
<ul style="list-style-type: none"> <li>Turnover Temperature 25 °C ±5 °C</li> <li>Frequency Stability Coefficient: -0.036 ppm/°C<sup>2</sup> ±10 %</li> </ul>	

## Material Parameters

Termination Finish	Ni Au
Moisture Sensitivity Level (MSL)	Not Applicable

## Manufacturing Details

- Note: the use of ultrasonic cleaning must be tested by the customer to check suitability as the device can be destroyed by this method depending upon the frequency, power, time and position in the bath.
- Reflow: 250 °C ±10 °C for 10 sec max.

## Electrical Parameters

Load Capacitance <b>CL</b>	7 pF
Shunt Capacitance <b>CO</b>	1.4 pF typ.
Drive Level	0.1 µW typ. 0.3 µW max.
ESR	90000 Ω max.

## Environmental Parameters

Storage Temperature Range:	-55 °C to 125 °C
<ul style="list-style-type: none"> <li>Shock: 100 g dummy dropped 10 times in 3 axis from a height of 1500 mm onto concrete.</li> <li>Vibration: 1.5 mm amplitude, 10~60 Hz, 15 mins cycle time in X, Y and Z axis, 2 hrs each axis.</li> </ul>	

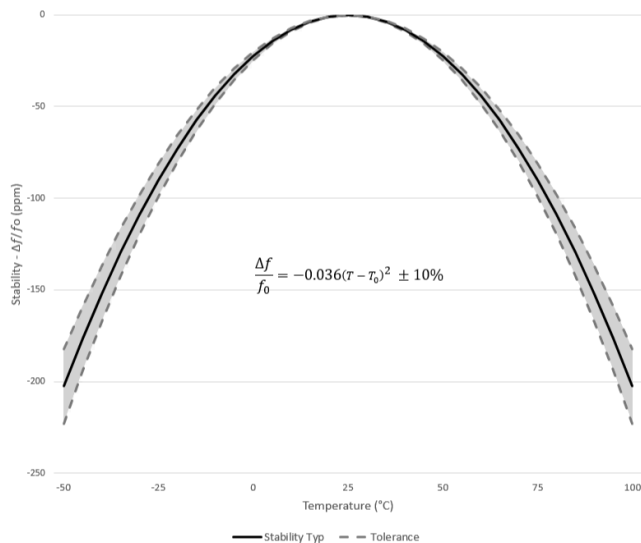
## Technical Standards

RoHS Status	2015/863/EU - Compliant
REACH Status	Compliant

## Packaging Details

Packaging SPQ	Tape & Reel 5000 pcs
<ul style="list-style-type: none"> <li>Tape &amp; reel in accordance with EIA-481</li> <li>Quantities below the standard reel size to be supplied on cut tape.</li> </ul>	

## Stability vs. Temperature



# WATCH CRYSTAL

**Part Number: 830108211801** | IQXC-146

AKA Number: LFX TAL082118

---



## **Company Address**

IQD Frequency Products Ltd.

Station Road

Crewkerne

Somerset

TA18 8AR, United Kingdom