

# QUARTZ CRYSTAL MHZ

Part Number: 830106374101 | CFPX-218

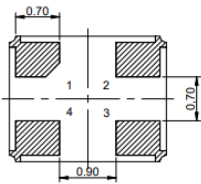
AKA Number: LFX TAL063741



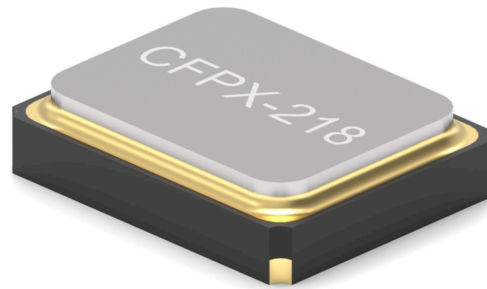
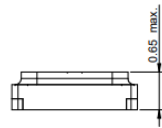
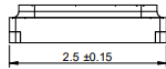
## General Information

2.5 x 2 mm SMD crystal in a hermetically sealed ceramic package with a seam sealed metal lid.

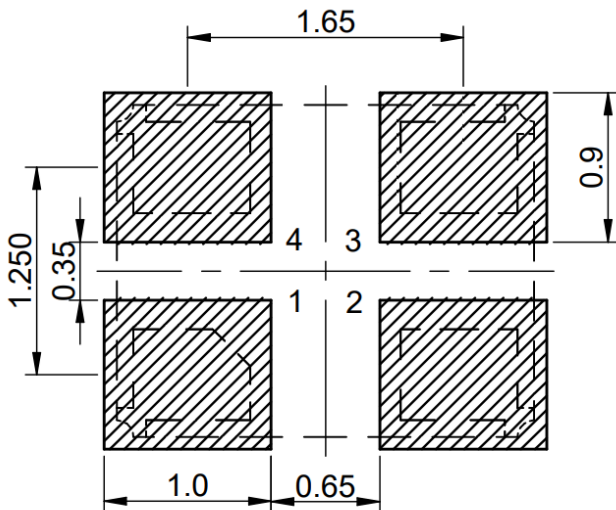
## Dimensions [mm]



Pad Connection	
Pad No	Pad Connection
1	Crystal
2	GND
3	Crystal
4	GND



## Recommended Land Pattern [mm]



# QUARTZ CRYSTAL MHZ



Part Number: **830106374101** | CFPX-218

AKA Number: LFX TAL063741

## Frequency Parameters

Frequency	40.0 MHz
Frequency Tolerance	± 30 ppm @ 25 °C
Frequency Stability	± 30 ppm
Operating Temperature	-20 °C to 70 °C
Overtone Order	Fundamental
Ageing	± 3 ppm max. per year @ 25 °C

## Material Parameters

Termination Finish	Ni Au
Moisture Sensitivity Level (MSL)	Not Applicable

## Manufacturing Details

Reflow: 260 °C max for 10 secs max

## Company Address

IQD Frequency Products Ltd.  
Station Road  
Crewkerne  
Somerset  
TA18 8AR, United Kingdom

## Electrical Parameters

Load Capacitance $C_L$	18 pF
Shunt Capacitance $C_0$	3 pF max.
Drive Level	100 µW max.
ESR	60 Ω max.

## Environmental Parameters

Storage Temperature Range:	-55 °C to 125 °C
<ul style="list-style-type: none"><li>Drop: 100 cm drop (3 times) onto hard wooden board.</li><li>Vibration: MIL-STD-883F, Method 2007.3: 20 g (20 Hz - 2000 Hz), 1.52 mm amplitude, 20 mins in 3 mutually perpendicular planes (total 4 hrs).</li></ul>	

## Technical Standards

RoHS Status	2015/863/EU - Compliant
REACH Status	Compliant

## Packaging Details

Packaging SPQ	Tape & Reel 3000 pcs
Tape & reel in accordance with EIA-481	
Quantities below the standard reel size to be supplied on cut tape.	