

QUARTZ CRYSTAL MHZ

Part Number: 830105279903 | IQXC-26

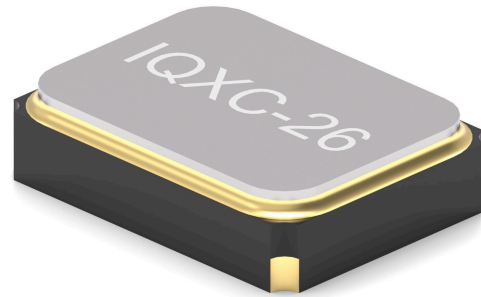
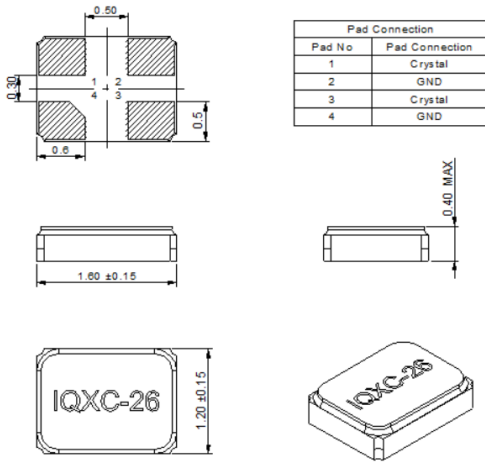
AKA Number: LFX TAL052799



General Information

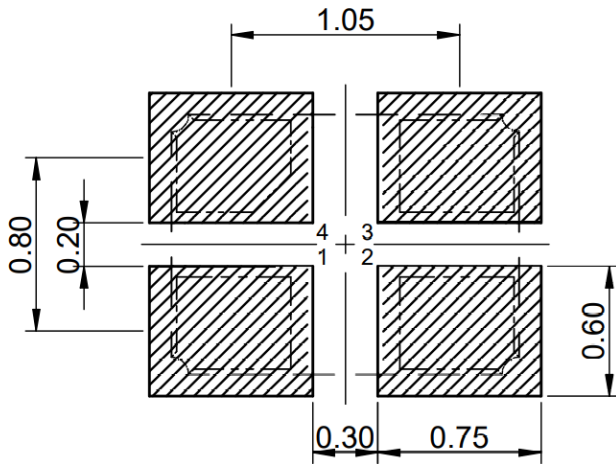
Standard 1.6 x 1.2mm SMD crystal in a hermetically sealed ceramic package with a sealed metal lid.

Dimensions [mm]



NOTE: The pad style on the base of the device may differ slightly from the drawing.
The chamfer may appear on Pad 1 or 4.
This causes no change to the electrical performance of the device.

Recommended Land Pattern [mm]



QUARTZ CRYSTAL MHZ



Part Number: **830105279903** | IQXC-26

AKA Number: LFX TAL052799

Frequency Parameters

Frequency	26.0 MHz
Frequency Tolerance	± 10 ppm @ 25 °C
Frequency Stability	± 30 ppm
Operating Temperature	-40 °C to 85 °C
Overtone Order	Fundamental
Ageing	± 3 ppm max per year @ 25 °C

Material Parameters

Moisture Sensitivity Level (MSL) Not Applicable

Electrical Parameters

Load Capacitance CL	10 pF
Shunt Capacitance CO	3 pF max.
Drive Level	100 µW max.

Environmental Parameters

Storage Temperature Range:	55 °C to 125 °C
<ul style="list-style-type: none">Shock Test (MIL-STD-202 Method 213): Half Sine shock pulse with peak acceleration 500 g. Pulse duration: 0.3 ms.Vibration (MIL-STD-202 Method 204): Frequency: 10 - 55 Hz. Amplitude: 0.7 - 0.9 mm pk-pk. Sweep: 1 minute. Duration: 2 hours in each of 3 mutually perpendicular direction.	

Technical Standards

RoHS Status	2015/863/EU - Compliant
REACH Status	(EC)1907/2006 - Compliant

Packaging Details

Packaging SPQ	Tape & Reel 3000 pcs
Tape & reel in accordance with EIA-481	
Quantities below the standard reel size to be supplied on cut tape.	

Company Address

IQD Frequency Products Ltd.
Station Road
Crewkerne
Somerset
TA18 8AR, United Kingdom