

Customer Part:

Description

- 2.5 x 2mm SMD crystal in a hermetically sealed ceramic package with a seam sealed metal lid.
- Model CFPX-218
- Model Issue number 6

Frequency Parameters

- Frequency 40.0MHz
- Frequency Tolerance $\pm 10.00\text{ppm}$
- Tolerance Condition @ 25°C
- Frequency Stability $\pm 10.00\text{ppm}$
- Operating Temperature Range -20.00 to 70.00°C
- Overtone Order Fundamental
- Ageing $\pm 3\text{ppm max per year @ 25°C}$

Electrical Parameters

- Load Capacitance (CL) 12.00pF
- Shunt Capacitance (C0) 3pF max
- Drive Level 100µW max
- ESR 60.00Ω max

Environmental Parameters

- Storage Temperature Range: -55 to 125°C
- Drop: 100cm drop (3 times) onto hard wooden board.
- Vibration: MIL-STD-883F, Method 2007.3: 20G (20Hz-2000Hz), 1.52mm amplitude, 20mins in 3 mutually perpendicular planes (total 4hrs).

Manufacturing Details

- RoHS Terminations NiAu
- RoHS Reflow Temp 260°C max for 10secs max

Compliance

- RoHS Status (2015/863/EU) Compliant
- REACH Status Compliant
- MSL Rating (JDEC-STD-033): Not Applicable

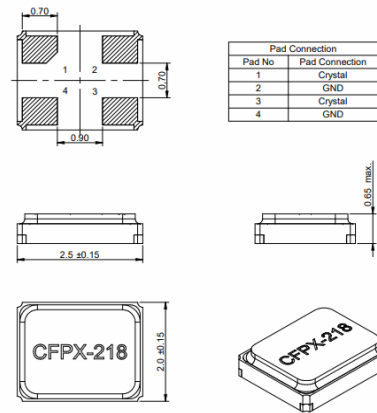
Packaging Details

- Tape & reel in accordance with EIA-481
Quantities below the standard reel size to be supplied on cut tape.

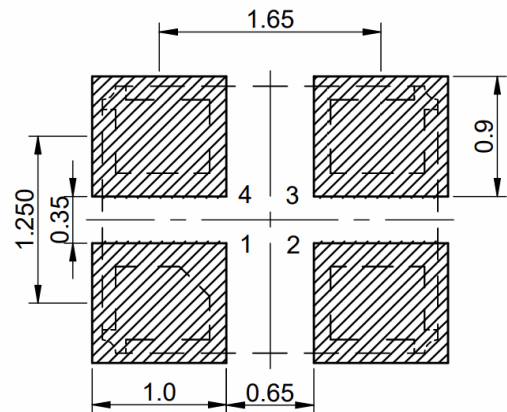
Standard Pack Quantity: 3,000



Outline (mm)



Recommended Solder Pad Layout



Sales Office Contact Details:

UK: +44 (0)1460 270200

Email: info@iqdfrequencyproducts.com

Web: www.iqdfrequencyproducts.com