

**Customer Part:**

**Description**

- Industry standard leaded package  
Resistance welded, hermetically sealed in an inert atmosphere, glass to metal seals on leads
- Standard 2 leg HC49 package
- Model HC49
- Model Issue number 16

**Frequency Parameters**

- Frequency 7.37280MHz
- Frequency Tolerance  $\pm 20.00\text{ppm}$
- Frequency Stability  $\pm 50.00\text{ppm}$
- Operating Temperature Range  $-10.00$  to  $60.00^\circ\text{C}$
- Overtone Order Fundamental
- Ageing  $\pm 5\text{ppm max per year}$

**Electrical Parameters**

- Load Capacitance 18.00pF
- Shunt Capacitance 7pF max
- Drive Level 1mW max
- ESR 50.00 $\Omega$  max

**Environmental Parameters**

- Shock: MIL-STD-202 Method 213, Condition C, Half sine shock pulse peak acceleration of 100g, pulse duration 6ms.
- Vibration: MIL-STD-202 Method 204, 5g for 20 minutes, 12 cycles in each of the 3 orientations, 10~2000Hz.
- Storage Temperature Range:  $-55$  to  $125^\circ\text{C}$

**Manufacturing Details**

- RoHS Terminations Sn, Ag & Cu
- RoHS Reflow Temp  $260^\circ\text{C}$  max over 10 seconds

**Compliance**

- RoHS Status (2015/863/EU) Compliant
- REACH Status Compliant
- MSL Rating (JDEC-STD-033): Not Applicable

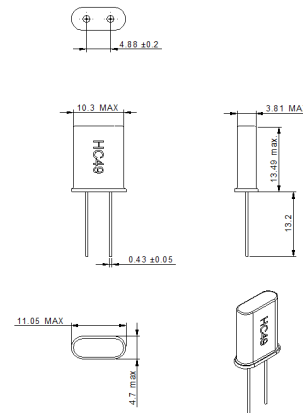
**Packaging Details**

- Bulk pack

Standard Pack Quantity: 100



**Outline (mm)**



**Sales Office Contact Details:**

UK: +44 (0)1460 270200

Email: [info@iqdfrequencyproducts.com](mailto:info@iqdfrequencyproducts.com)

Web: [www.iqdfrequencyproducts.com](http://www.iqdfrequencyproducts.com)