

SIMPLE PACKAGED CRYSTAL OSCILLATOR



Part Number: 8302100277 | IQXO-540

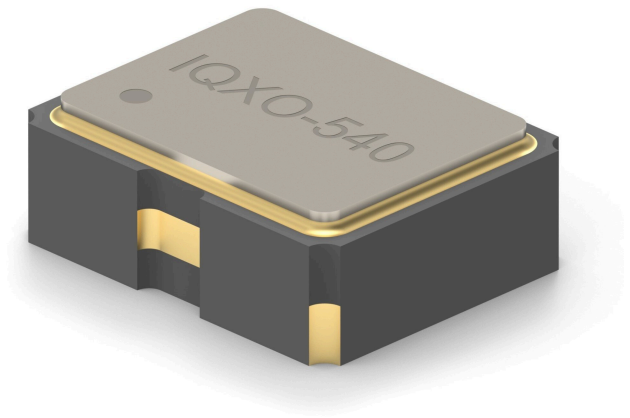
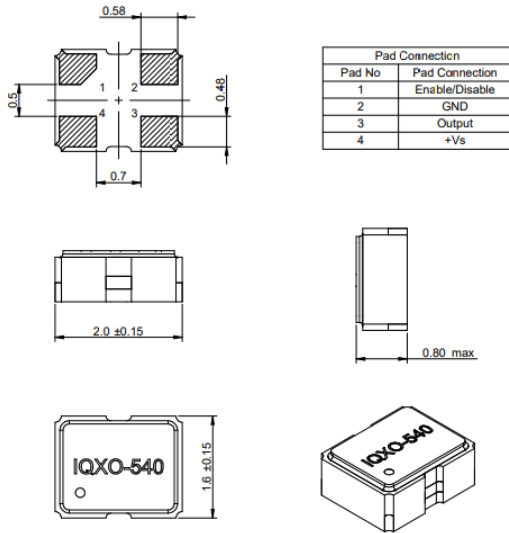
AKA Number: LFSPXO100277



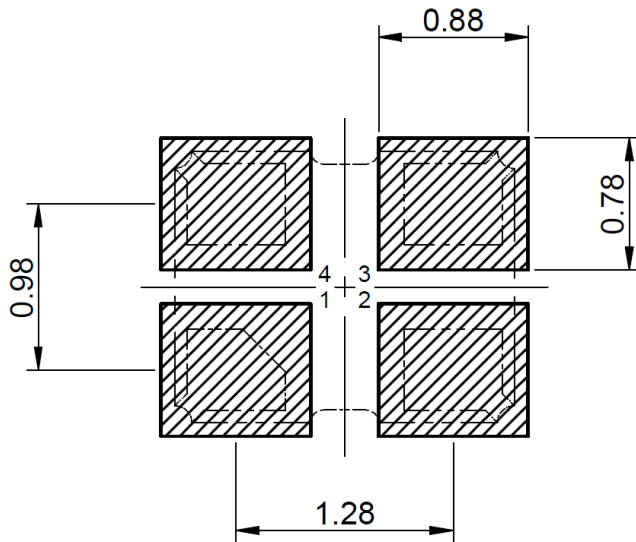
General Information

Standard 2.0 x 1.6 mm crystal oscillator in a hermetically sealed ceramic package with a seam sealed metal lid.

Dimensions [mm]



Recommended Land Pattern [mm]



SIMPLE PACKAGED CRYSTAL OSCILLATOR



Part Number: **8302100277** | IQXO-540

AKA Number: LFSPXO100277

Frequency Parameters

Frequency	37.40 MHz
Frequency Tolerance	INCLUSIVE
Frequency Stability	± 50 ppm
Operating Temperature	-40 °C to 125 °C
Ageing	± 5 ppm max. per year @ 25 °C

Inclusive of tolerance, supply voltage and load variations over the operating temperature range.

Output Details

Output Compatibility	CMOS
Drive Capability	15 pF max.

Start up time: 10 ms max, 0.7ms typ. to 90 % of final amplitude (under ideal conditions @ 25 °C).

Output High (VoH): 90 % of Vs min
Output Low (VoL): 10 % of Vs max

Output Control

- Standby Operation:
 - Logic '1' ($\geq 70\% V_s$) to pad 1 enables oscillator output
 - Logic '0' ($\leq 30\% V_s$) to pad 1 disables oscillator output
 - When disabled the oscillator output goes to the high impedance state.
 - No connection to pad 1 enables oscillator output.
- Standby Current: 10 μA max, 1.0 μA typ. @ 25 °C.

Material Parameters

Termination Finish	Au Ni
Moisture Sensitivity Level (MSL)	Not Applicable

Manufacturing Details

Reflow: 260 °C max for 10 seconds max.

Electrical Parameters

Supply Voltage	3.3 V ± 10 %
Current Consumption	20 mA max.
Rise Time tr	7 ns max.
Fall Time tf	7 ns max.
Duty Cycle	40/60 %

Environmental Parameters

Storage Temperature Range:	-55 °C to 125 °C
----------------------------	------------------

- Shock: Half sine shock pulse with peak acceleration 500 g; Pulse duration: 0.3 ms
- Vibration: MIL-STD-202 Method 204. 5 g for 20 minutes, 12 cycles in each of the 3 orientations, 10 ~ 2000 Hz. As per Table 11 of AEC-Q200.

Technical Standards

RoHS Status	2015/863/EU - Compliant
REACH Status	(EC)1907/2006 - Compliant

Packaging Details

Packaging SPQ	Tape & Reel 3000 pcs
---------------	----------------------

Tape & reel in accordance with EIA-481
Quantities below the standard reel size to be supplied on cut tape.

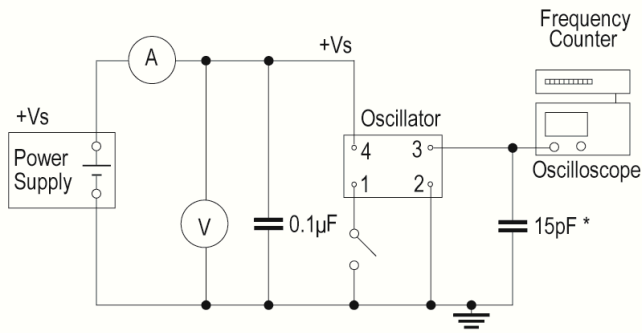
SIMPLE PACKAGED CRYSTAL OSCILLATOR



Part Number: 8302100277 | IQXO-540

AKA Number: LFSPXO100277

Test Circuit



* Inclusive of jigging and equipment capacitance

Company Address

IQD Frequency Products Ltd.
Station Road
Crewkerne
Somerset
TA18 8AR, United Kingdom