

SIMPLE PACKAGED CRYSTAL OSCILLATOR



Part Number: **830202687402** | CFPS-73

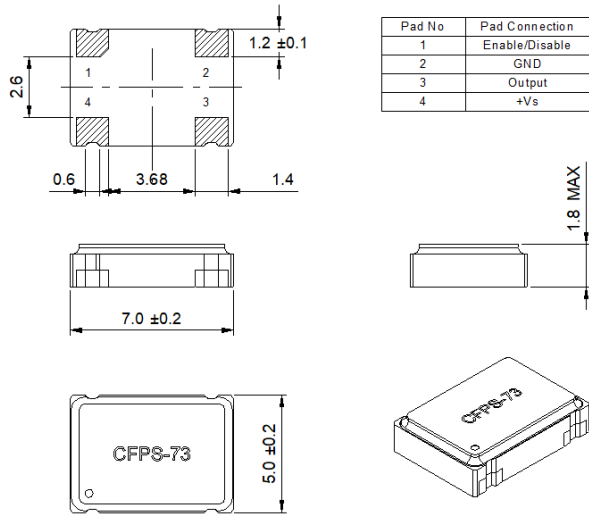
AKA Number: LFSPX0026874



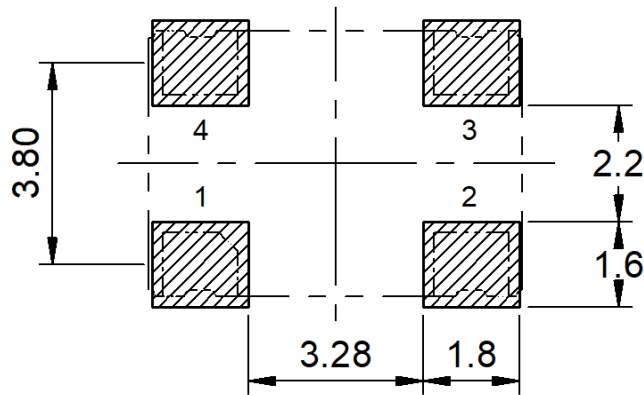
General Information

Standard 7.0 x 5.0 mm crystal oscillator in a ceramic package with a seam sealed metal lid, hermetically sealed.

Dimensions [mm]



Recommended Land Pattern [mm]



SIMPLE PACKAGED CRYSTAL OSCILLATOR



Part Number: **830202687402** | CFPS-73

AKA Number: LFSPX0026874

Frequency Parameters

Frequency	28.2240 MHz
Frequency Tolerance	INCLUSIVE
Frequency Stability	± 100 ppm
Operating Temperature	-40 °C to 85 °C
Ageing	± 5 ppm per year

Output Details

Output Compatibility	CMOS
Drive Capability	15 pF typ., 30 pF max.

Start up time: 10 ms max, 0.9 ms typ to 90 % of final amplitude (under ideal conditions @ 25 °C).

Output Control

Standby Operation:

Logic '1' (>70% Vs) to pad 1 enables oscillator output.

Logic '0' (<30% Vs) to pad 1 disables oscillator output; the oscillator output goes to the high impedance state.

No connection to pad 1 enables oscillator output.

Standby Current: 10 µA max, 0.9 µA typ @ 25 °C

Material Parameters

Termination Finish	Ni Au
Moisture Sensitivity Level (MSL)	Not Applicable

Manufacturing Details

Reflow: 260 °C max. for 10 seconds max.

Electrical Parameters

Supply Voltage	3.3 V ± 10 %
Current Consumption	38 mA max.
Rise Time t_r	10 ns max.
Fall Time t_f	10 ns max.
Duty Cycle	40/60 %

Note: parameters are referenced to 15 pF load

Environmental Parameters

Storage Temperature Range: -55 °C to 125 °C

- Shock: Half Sine shock pulse with peak acceleration 500 g; Pulse duration: 0.3 ms
- Vibration: MIL-STD-202 Method 204. 5 g for 20 minutes, 12 cycles in each of the 3 orientations, 10 ~ 2000 Hz. As per Table 11 of AEC-Q200.

Technical Standards

RoHS Status	2015/863/EU - Compliant
REACH Status	(EC)1907/2006 - Compliant

Packaging Details

Packaging SPQ	Tape & Reel 1000 pcs
Tape & reel in accordance with EIA-481	
Quantities below the standard reel size to be supplied on cut tape.	

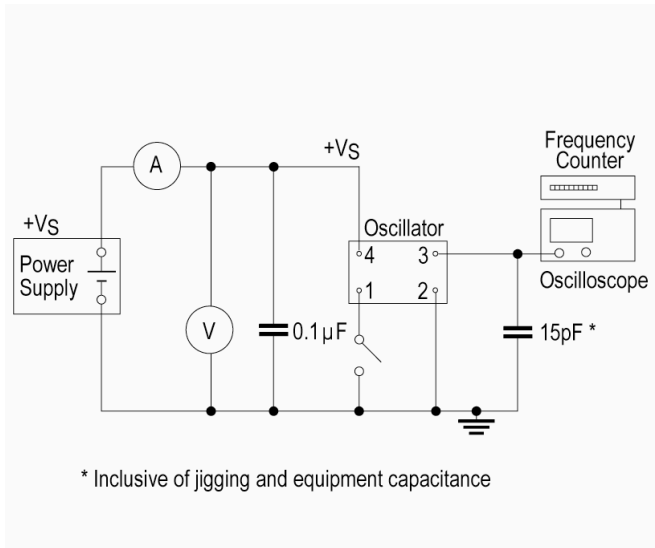
SIMPLE PACKAGED CRYSTAL OSCILLATOR



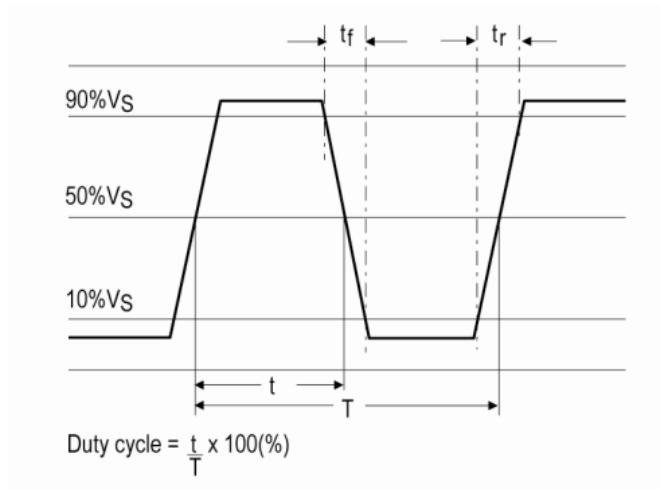
Part Number: 830202687402 | CFPS-73

AKA Number: LFSPX0026874

Test Circuit



Waveform



Company Address

IQD Frequency Products Ltd.
Station Road
Crewkerne
Somerset
TA18 8AR, United Kingdom