

**Customer Part:**

**Description**

- Standard 7.0 x 5.0mm crystal oscillator in a ceramic package with a seam sealed metal lid, hermetically sealed.
- Model CFPS-73
- Model Issue number 16



**Frequency Parameters**

- Frequency 40.0MHz
- Frequency Stability ±50.00ppm
- Operating Temperature Range -40.00 to 85.00°C
- Ageing ±5ppm per year

**Electrical Parameters**

- Supply Voltage 3.3V ±10%
- Current Draw 38.000mA
- Note: parameters are referenced to 15pF load

**Output Details**

- Output Compatibility CMOS
- Drive Capability 15pF typ, 30pF max
- Rise and Fall Time 10.0ns max
- Duty Cycle 40/60
- Start up time: 10ms max, 0.9ms typ to 90% of final amplitude ( under ideal conditions @25°C).

**Output Control**

- Standby Operation:  
 Logic '1' (>70% VS) to pad 1 enables oscillator output  
 Logic '0' (<30% VS) to pad 1 disables oscillator output; the oscillator output goes to the high impedance state  
 No connection to pad 1 enables oscillator output  
 Standby Current: 10µA max, 0.9µA typ @25°C.

**Environmental Parameters**

- Shock: Half Sine shock pulse with peak acceleration 500g; Pulse duration: 0.3ms
- Vibration: MIL-STD-202 Method 204. 5g for 20 minutes, 12 cycles in each of the 3 orientations, 10 - 2000 Hz. As per Table 11 of AEC-Q200.
- Storage Temperature Range: -55 to 125°C

**Manufacturing Details**

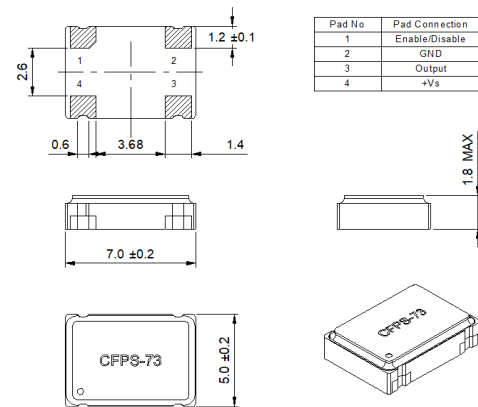
- RoHS Terminations NiAu
- RoHS Reflow Temp 260°C 10s max

**Compliance**

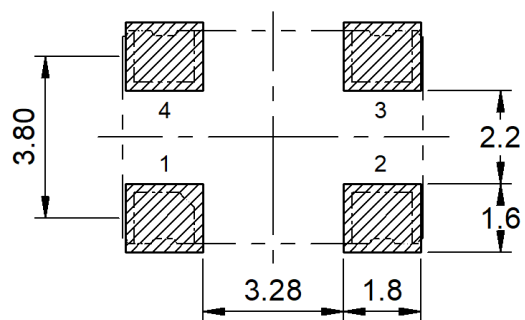
- RoHS Status (2015/863/EU) Compliant
- REACH Status Compliant
- MSL Rating (JDEC-STD-033): Not Applicable



**Outline (mm)**



**Recommended Solder Pad Layout**



**Sales Office Contact Details:**

UK: +44 (0)1460 270200

Email: [info@iqdfrequencyproducts.com](mailto:info@iqdfrequencyproducts.com)

Web: [www.iqdfrequencyproducts.com](http://www.iqdfrequencyproducts.com)

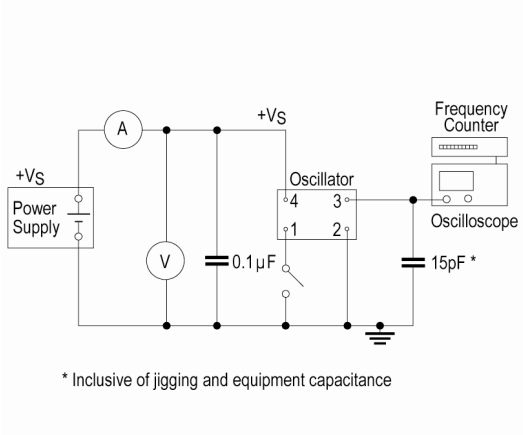
**Customer Part:**

**Packaging Details**

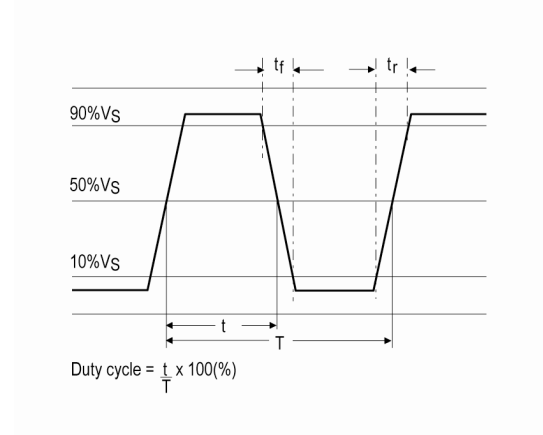
- Tape & reel in accordance with EIA-481  
Quantities below the standard reel size to be supplied on cut tape.

Standard Pack Quantity: 1,000

**Test Circuit**



**Waveform**



**Sales Office Contact Details:**

UK: +44 (0)1460 270200

Email: [info@iqdfrequencyproducts.com](mailto:info@iqdfrequencyproducts.com)

Web: [www.iqdfrequencyproducts.com](http://www.iqdfrequencyproducts.com)