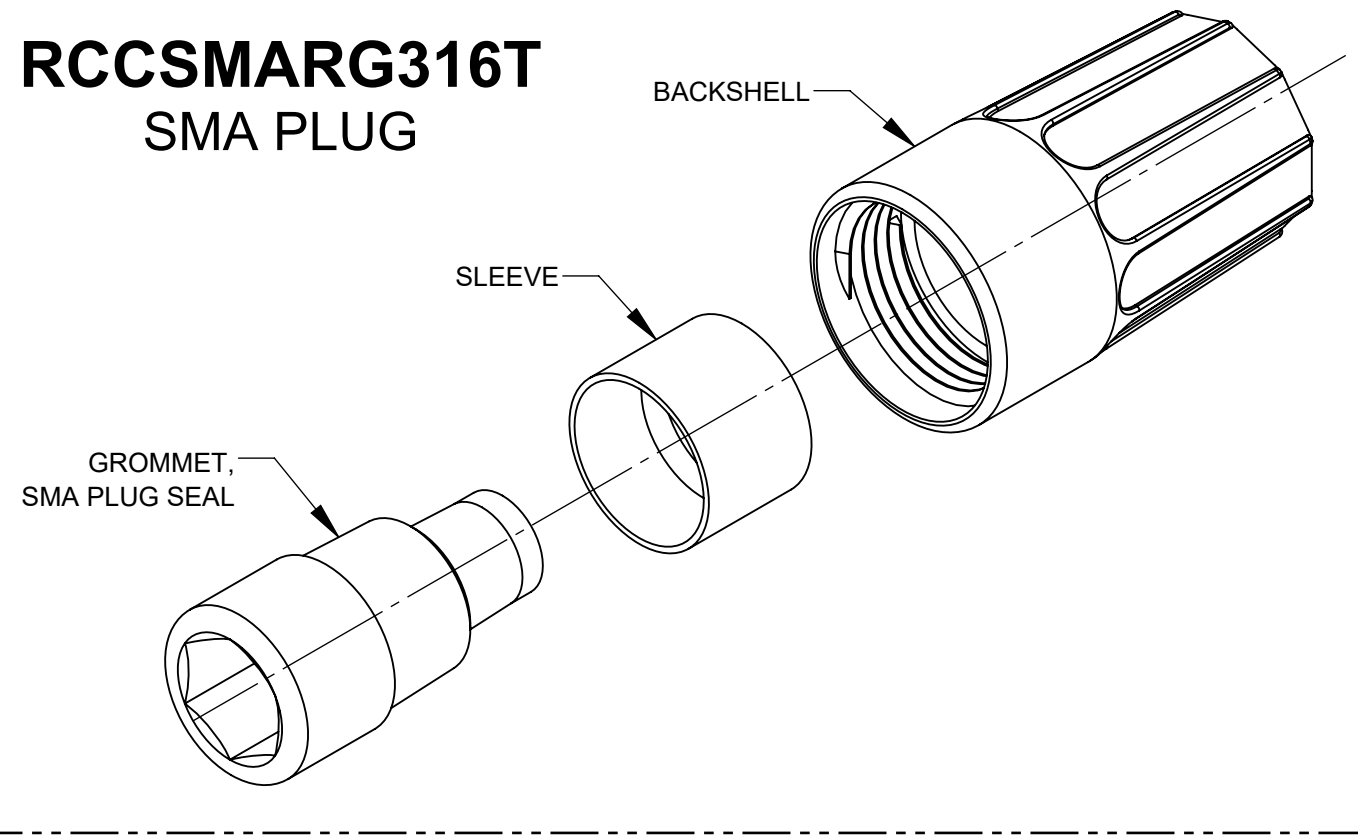
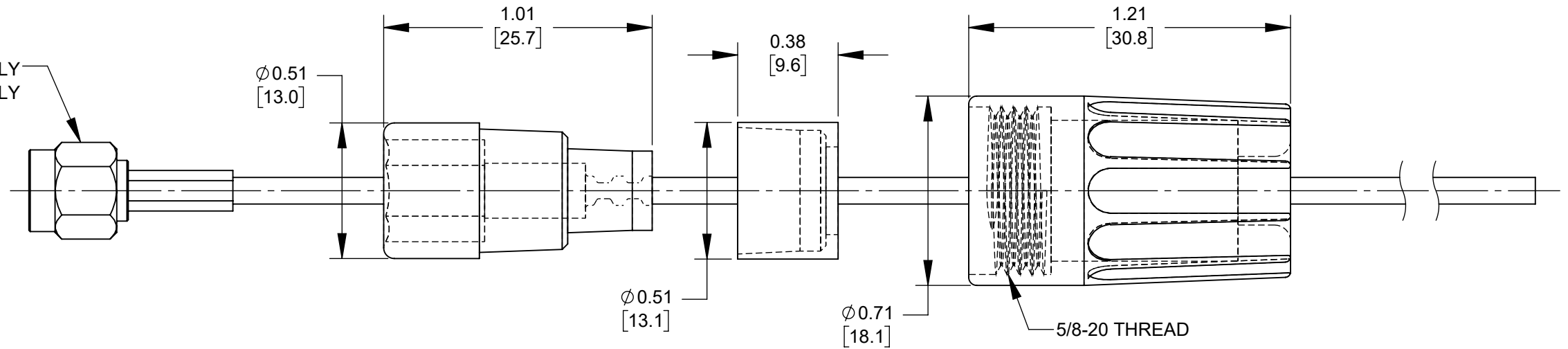


RCCSMARG316T SMA PLUG



TYPICAL SMA PLUG RG316 CABLE ASSEMBLY
CUSTOMER SUPPLIED OR SOLD SEPARATELY



ALL DIMENSIONS ARE REFERENCE ONLY

NOTES:

- PARTS SUPPLIED UNASSEMBLED.
- RCCSMARG316T TO BE USED TO SEAL SMA PLUG RG316 CABLE ASSEMBLIES.
- RCCSMARG316T MATERIAL:
BACKSHELL - THERMOPLASTIC, BLACK
SLEEVE - THERMOPLASTIC, DARK GRAY
GROMMET - TPE, BLACK
- THIS PRODUCT IS RoHS COMPLIANT.

CUSTOMER DRAWING

REV	ECO NUMBER	DATE	BY	APVD
A	28805	1/30/26	TJK	TJK
REVISIONS				

STAR SYMBOL DENOTES CRITICAL DIMENSION

UNLESS OTHERWISE SPECIFIED

1. ALL DIMENSIONS IN INCHES [mm]
- TWO PLACE DECIMALS ±0.02 [0.5]
- THREE PLACE DECIMALS ±0.005 [0.13]

DO NOT SCALE DRAWING

THIS DRAWING DESCRIBES A DESIGN CONSIDERED PROPRIETARY IN NATURE, DEVELOPED AND MANUFACTURED BY SWITCHCRAFT INC. AND IS RELEASED ON A CONFIDENTIAL BASIS FOR IDENTIFICATION PURPOSES ONLY.									
SIZE	WIDTH	MULT	LBS/M	TEMPER	MATERIAL SPEC No.				
FINISH			SCALE 2:1		Switchcraft [®]				
DATE DRAWN	BY	CHKD	APVD	SHEET 1 OF 1					
1/7/26	TP	TP	TS	PART No. RCCSMARG316T					
NAME BACKSHELL KIT FOR SEALED SMA RG316 CABLE ASSEMBLY, RoHS					REV A				